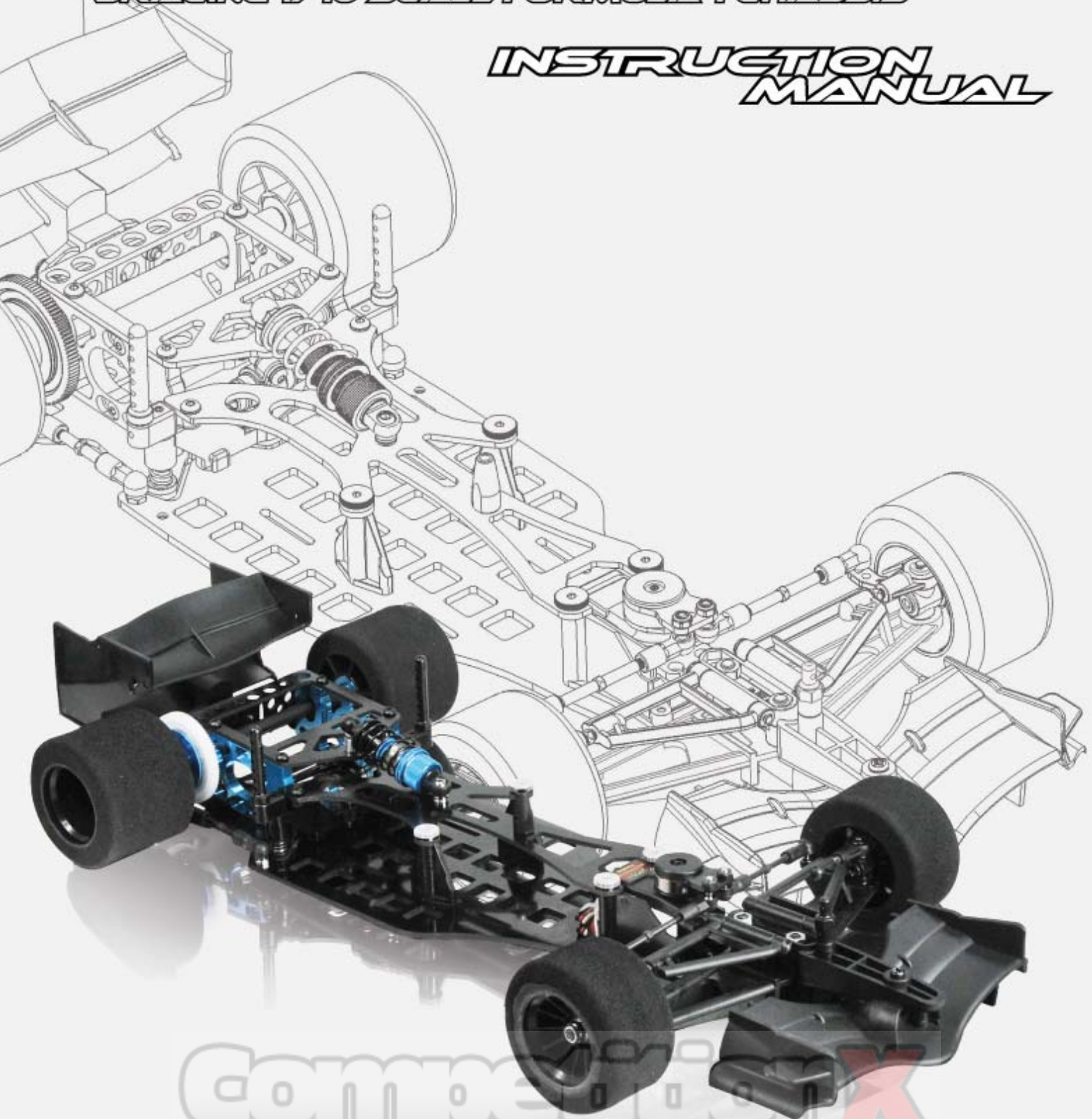


# F1-09

BRACING 1/10 SCALE FORMULA-1 CHASSIS

**INSTRUCTION  
MANUAL**



COMPETITIX  
A WEB SITE FOR THE SERIOUS RACER



**RACING**

[WWW.3RACING.COM.HK](http://WWW.3RACING.COM.HK)

### BEFORE YOU START

Before building and operating your F-109, you must read through all of the operating instructions and instruction manual and fully understand them to get the maximum enjoyment and prevent unnecessary damage. Read carefully and fully understand the instructions before beginning assembly. Make sure you review this entire manual. We cannot accept your F-109 kit for return or exchange after it has been partially or fully assembled.

### CUSTOMER SUPPORT

We have made every effort to make these instructions as easy to understand as possible. However, if you have any difficulties, problems, or questions, please do not hesitate to contact the 3Racing support team at [support@3racing.com.hk](mailto:support@3racing.com.hk). Also, please visit our web site at <http://www.3racing.hk> to find the latest updates, set up information, option parts, and many other goodie. We pride ourselves on taking excellent care of our customers.

### SAFETY PRECAUTIONS

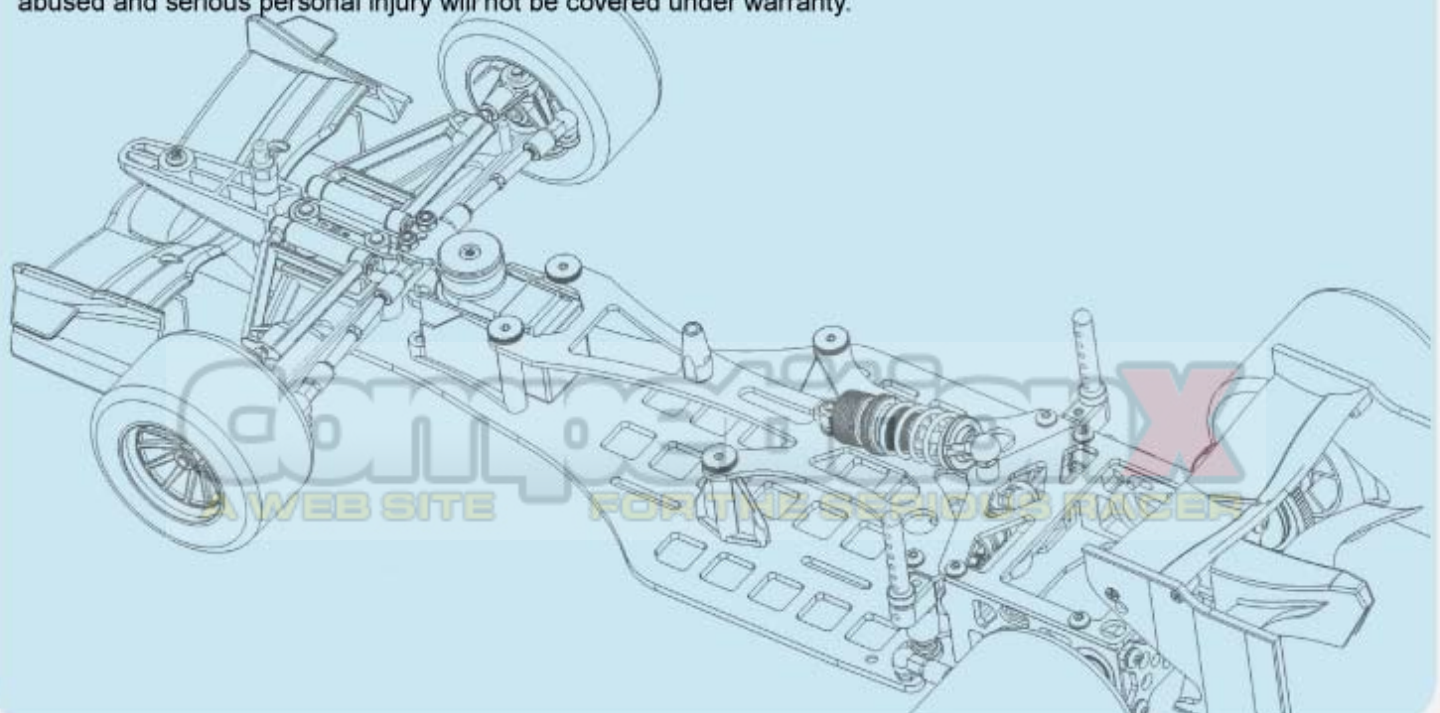
Please read the instruction manual before building and operating this model and follow all safety precautions. For reference reasons, please keep the instruction manual at hand. For provide the maximum performance, we have a full line upgrade parts for our F109. Original authentic 3Racing parts for maximum performance. Using any third party parts on this model will void guaranty immediately. The buyer expressly agrees to indemnify and hold harmless 3Racing for all claims resulting directly or indirectly from the purchase, ownership or use of the product.

### IMPORTANT NOTES - GENERAL

- This kit only suitable for adult which a upper 16 years of age.
- Read carefully and fully understand the instructions before commencing assembly.
- When using tools and handle the small parts. Extra care should be taken to avoid personal injury.
- Take care when building, as some parts may have sharp edges.
- Read and follow instructions supplied with paints and / or cement, if used (not included in kit).
- Follow the operating instructions for the radio equipment at all times.
- Keep the wheels of the model off the ground when checking the operation of the radio equipment.
- Please switch off and remove all electronic items before storing your model.
- Please keep cleaning of your model away.
- If the model behaves strangely, immediately stop the model, check and clear the problem.
- To prevent any serious personal injury and /or damage to property, be responsible when operating all remote controlled models.
- Never disassemble battery or cut battery cables.
- Use a recommended charger for the receiver and transmitter batteries. Incorrect charging may cause the batteries to become dangerous. Do not recharge battery while battery is still warm, wait until it cools down before charging.
- Please read the instruction manual before you use.

### QUALITY CERTIFICATE

3RACING F1-09 Formula kit is uses only the highest quality materials, its combine with FRP plate, alloy and plastic parts. We guarantee that all parts are manufactured with the highest quality. Product which have been defective, abused and serious personal injury will not be covered under warranty.



**3RACING F109 1/10 FORMULA 1 CHASSIS SPECIFICATION**

3RACING is one of the most famous RC optional parts manufacturers in the world. We have had over 20 years experience in RC industry that we are extremely familiar with every component of RC car kits. Today, we would like to announce that "It is the revolution of RC World because 3RACING has reached a new level in RC development. Our ALL-NEW F1-09 1/10 Formula 1 Chassis will be born!" Formula One is the highest class of car racing in the world. We are very pleased to introduce our new 1/10 scale F1 kit – F1-09 with all features to you. It is a high quality, durable, best-handling and extremely fast car with very affordable price.

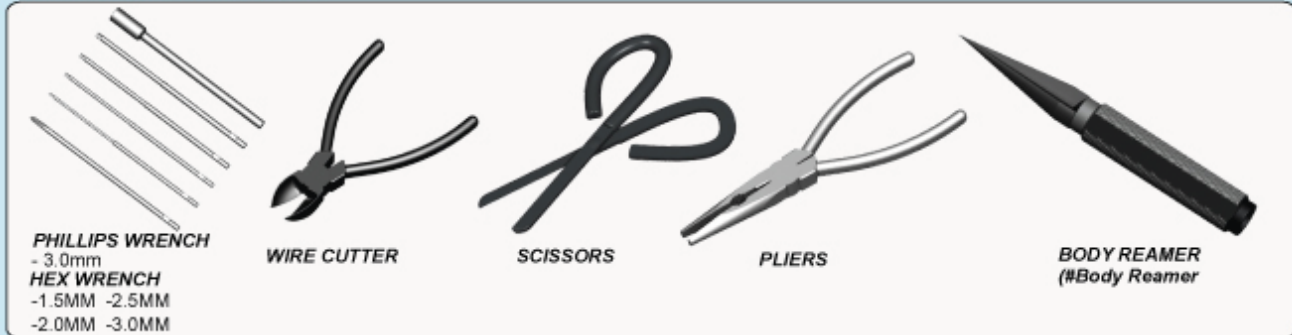
**FEATURE:**

- Precision cut FRP 2.5mm main chassis and 2.0mm upper desk.
- King pin coil spring independently front suspension.
- Rear suspension uses friction dampers and floating mono shock.
- Aluminum mono shock.
- Aluminum ball differential.
- Full ball bearings.
- Longitudinally placed servo (Isometric steering load applied).
- Lightweight differential joint.
- Height adjustable alloy gear case.
- Rear suspension ball mount.
- Realistic detailed lexan polycarbonate body.
- Front and rear wings.
- ESC, 2-channel R/C system, 7.2V battery and charger separately required.

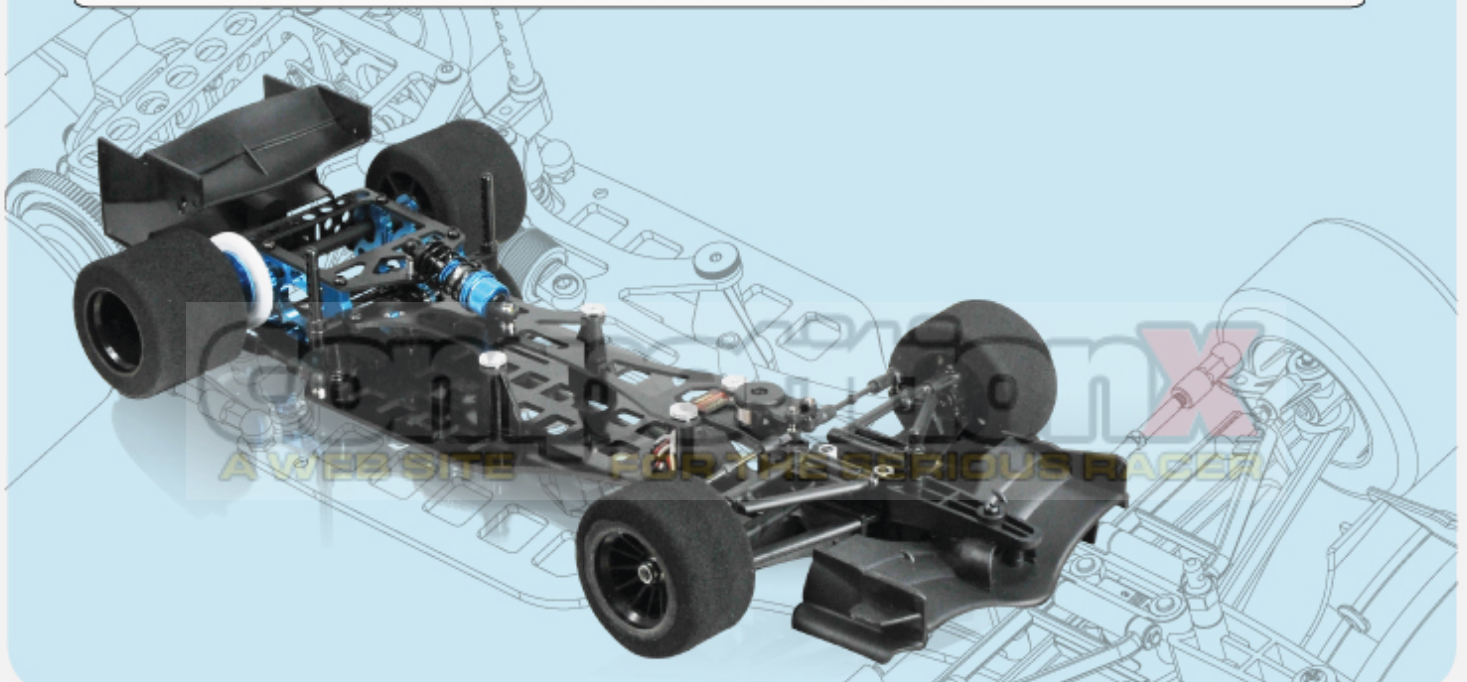
**SPECIFICATION:**

<b>Scale</b>	1/10
<b>Steering</b>	Direct steering with servo saver
<b>Suspension</b>	Front king ping coil spring
<b>Shocks</b>	Floating mono damper
<b>Transmission</b>	Direct drive 2WD
<b>Gear Ratio</b>	98/23
<b>Length</b>	435mm
<b>Width</b>	200mm
<b>Height</b>	101mm
<b>Wheelbase</b>	275mm
<b>Tread (F)</b>	155mm
<b>Tread (R)</b>	135mm
<b>Tire Width</b>	F 30mm; R 45mm
<b>Tire Size</b>	F 57mm; R 57mm
<b>Overall Weight</b>	610g
<b>Shell Weight</b>	42g
<b>Net Weight</b>	568g

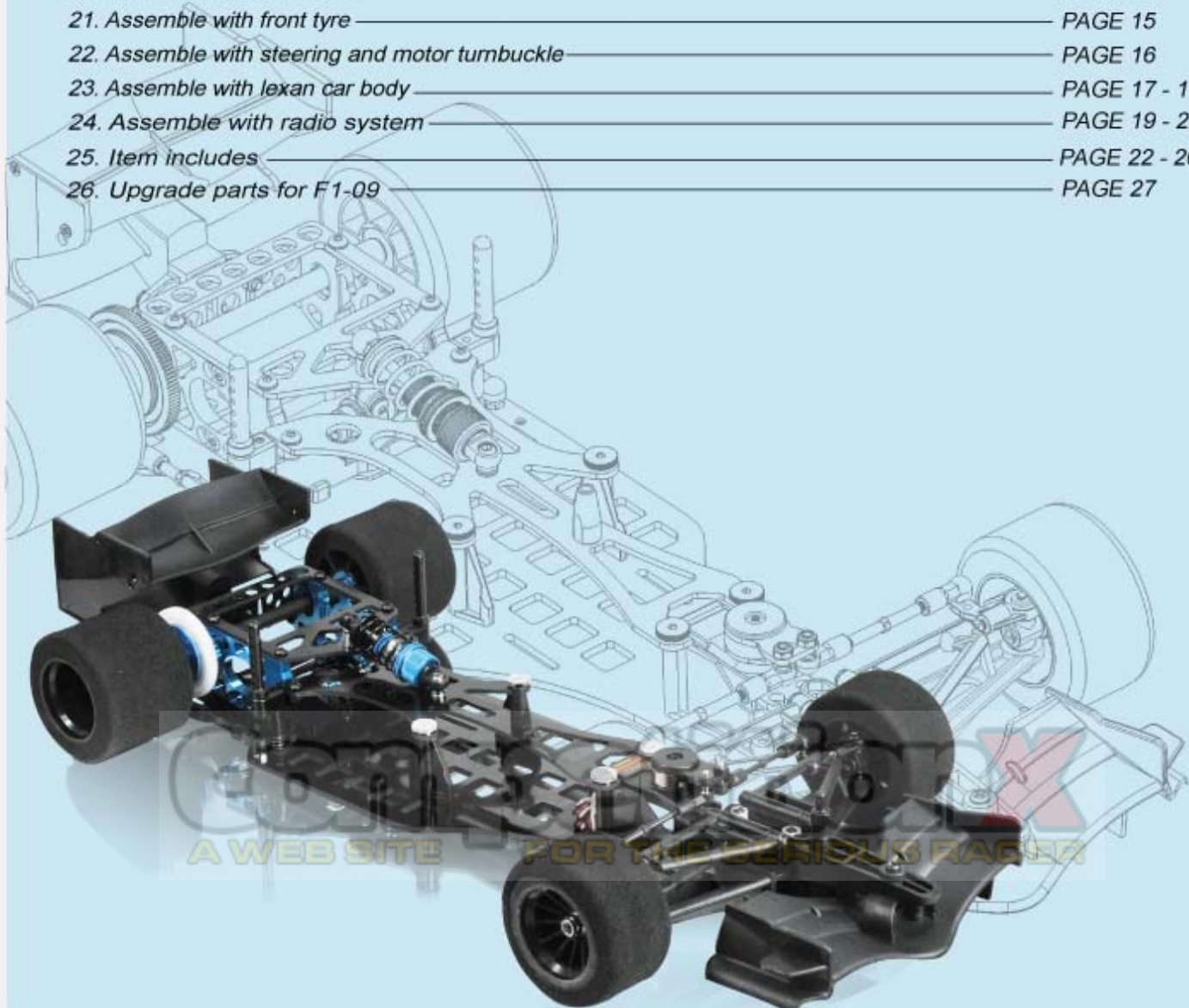
**TOOL REQUIRED:**



**TOOLS AND REQUEST INCLUDED:**



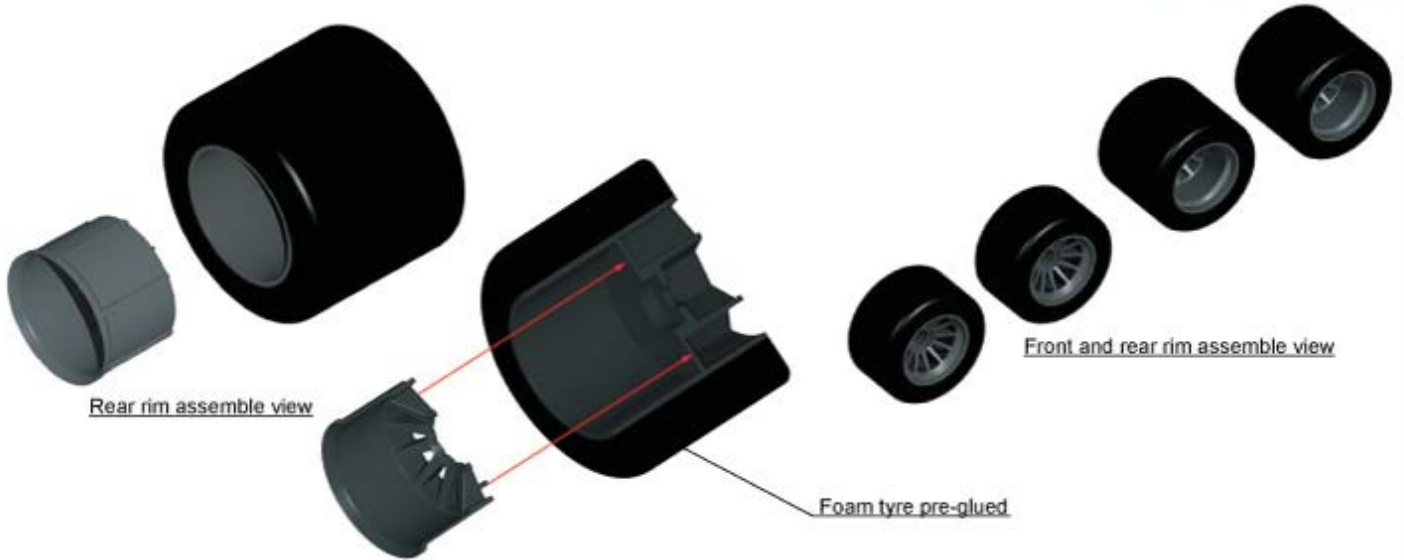
1. Front and rear rim set	PAGE 1
2. Ball differential	PAGE 1 - 2
3. Motor mount installation	PAGE 2 - 3
4. Join with motor mount and ball differential installation	PAGE 4
5. Front suspension	PAGE 4 - 5
6. Rolling damper body	PAGE 5 - 6
7. Main damper body	PAGE 7 - 8
8. Center ball mount	PAGE 8 - 9
9. Servo saver assembly	PAGE 9
10. Assemble with standard servo	PAGE 10
11. Assemble with low profile servo	PAGE 10 - 11
12. Assemble with main chassis	PAGE 11
13. Assemble with servo and main chassis	PAGE 12
14. Assemble with front wing set	PAGE 12
15. Assemble with rear wing mount	PAGE 13
16. Assemble with motor mount and rear wing set	PAGE 13
17. Assemble with main chassis and front suspension	PAGE 14
18. Assemble with center mount and main chassis	PAGE 14
19. Assemble with center mount and rolling damper	PAGE 14
20. Assemble with upper deck	PAGE 15
21. Assemble with front tyre	PAGE 15
22. Assemble with steering and motor tumbuckle	PAGE 16
23. Assemble with lexan car body	PAGE 17 - 18
24. Assemble with radio system	PAGE 19 - 21
25. Item includes	PAGE 22 - 26
26. Upgrade parts for F1-09	PAGE 27



A WEB SITE FOR THE SERIOUS RACER

# 1. FRONT AND REAR RIM SET

**FI-09**



Rear rim assemble view

Front and rear rim assemble view

Foam tyre pre-glued

When adding instant cement, please make sure it is evenly applied around the rim.



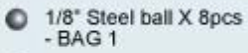
# 2. BALL DIFFERENTIAL



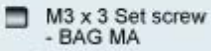
M27 Differential spacer X 2pcs -BAG 1



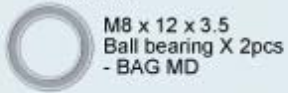
M8 x 9.5 x 4 Gear ring - BAG PC6



1/8" Steel ball X 8pcs - BAG 1



M3 x 3 Set screw - BAG MA



M8 x 12 x 3.5 Ball bearing X 2pcs - BAG MD



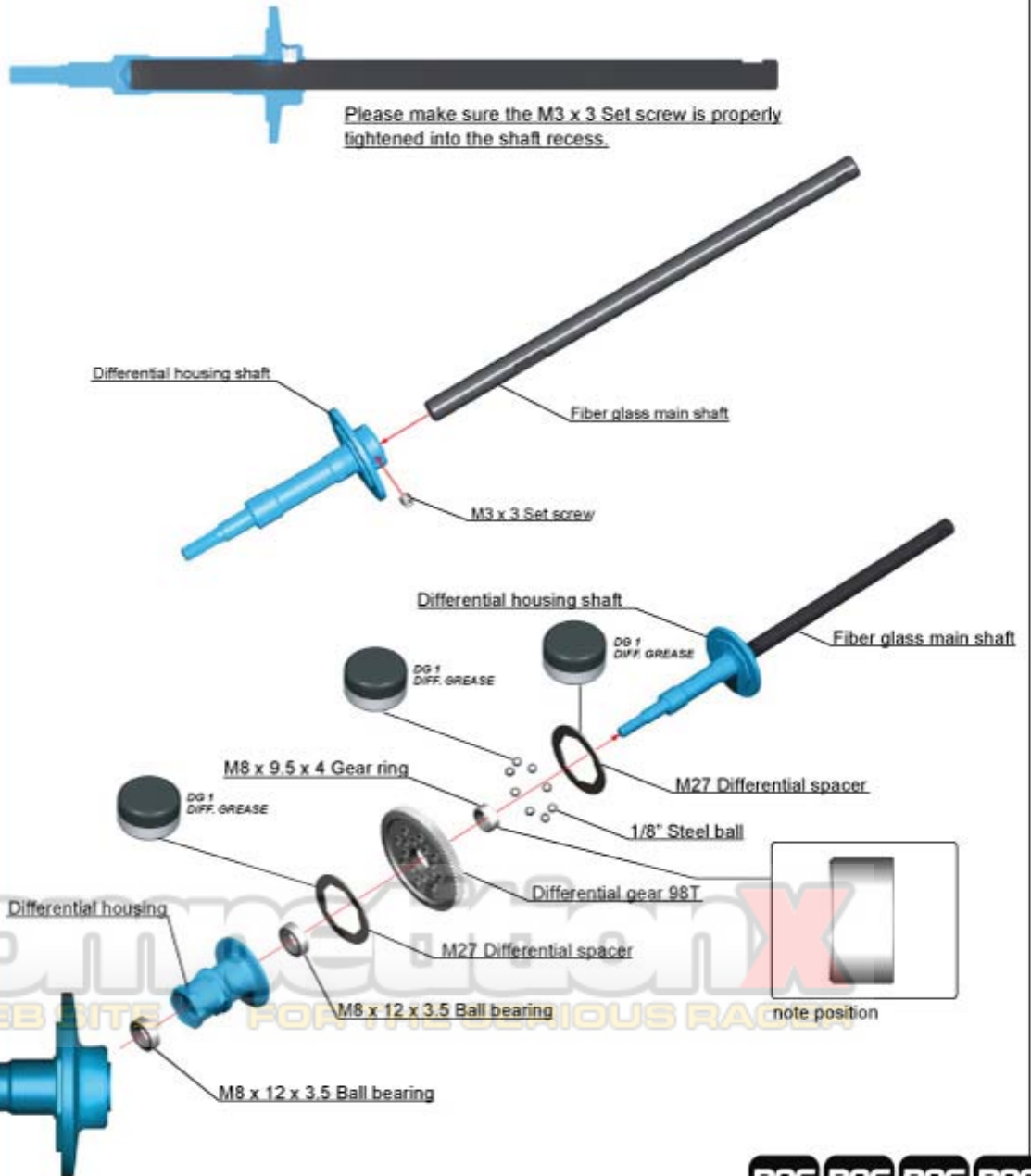
Differential gear 98T - BAG 1



Differential housing - BAG1



Differential housing shaft - BAG1



Please make sure the M3 x 3 Set screw is properly tightened into the shaft recess.

note position



## 2. BALL DIFFERENTIAL

**F1-09**



M11 Differential spacer spring - BAG 1



Ball thrust bearing - BAG 1



Thrust washer X 2pcs - BAG 1



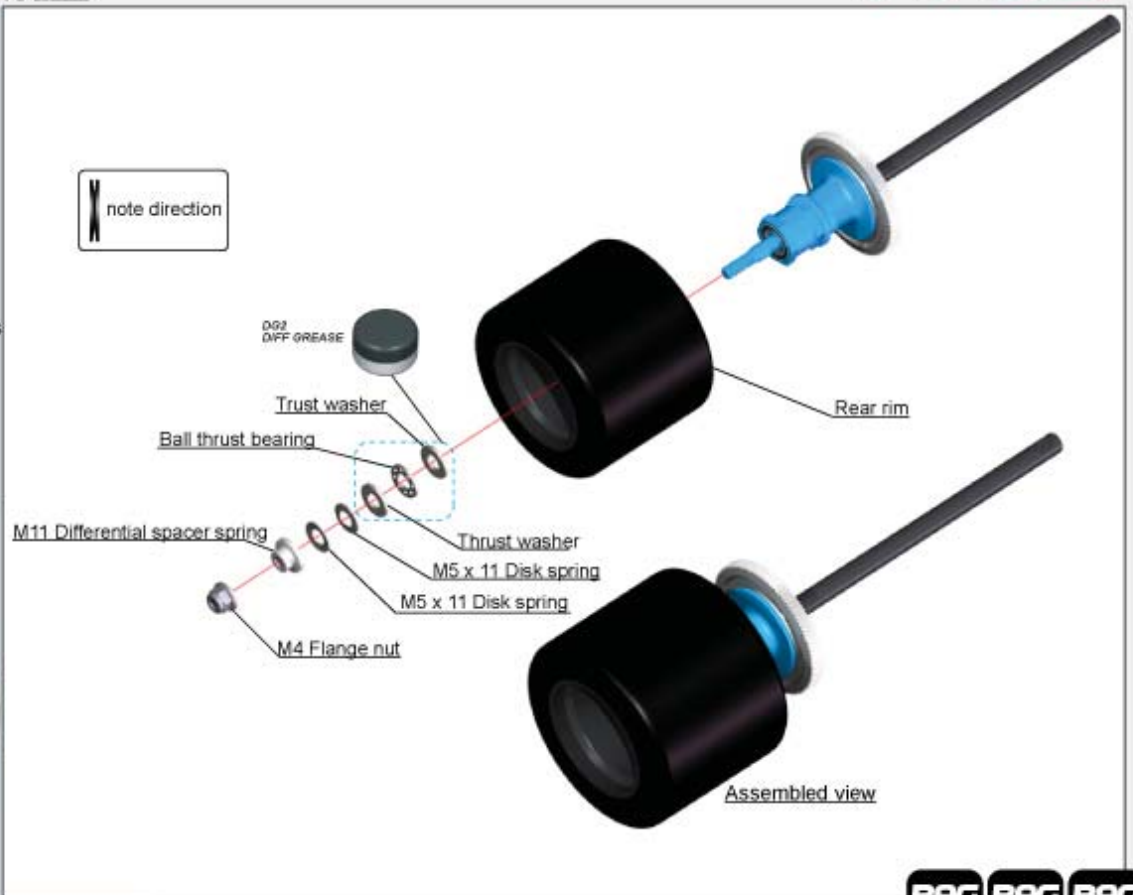
M4 Flange nut - BAG MB



M5 x 11 Disk spring X 2pcs - BAG 1



Rear rim - BAG PA



**BAG 1** **BAG MB** **BAG PA**

## 3. MOTOR MOUNT INSTALLATION:



M3 x 6 x 6 Aluminium post - BAG MD



Bottom spring holder X 2pcs - BAG PC7



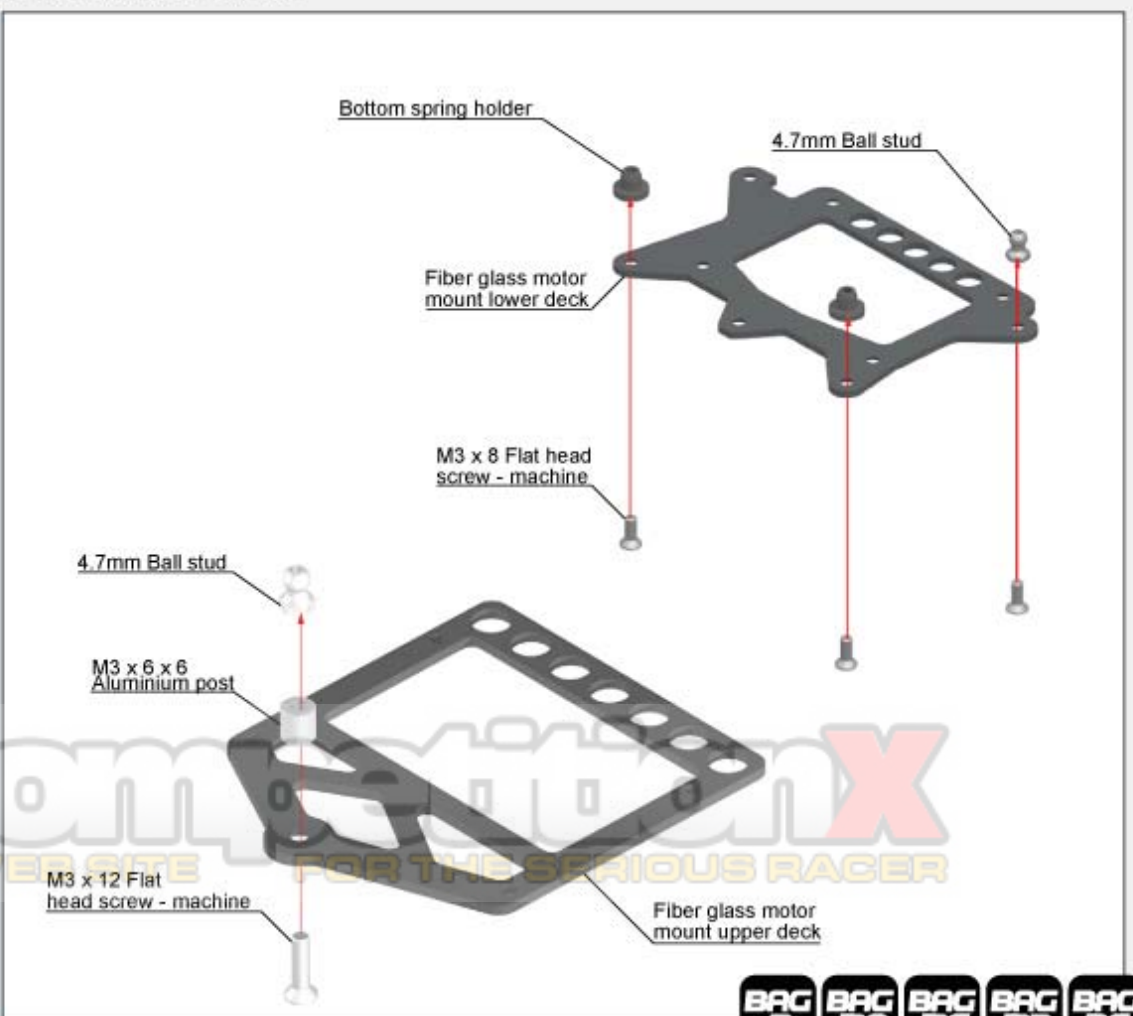
M3 x 8 Flat head screw - machine X 3pcs - BAG MA



M3 x 12 Flat head screw - machine - BAG MA



4.7mm Ball stud X 2pcs - BAG MC



**BAG 2** **BAG MA** **BAG MC** **BAG MD** **BAG PC**

### 3. MOTOR MOUNT INSTALLATION:



Rolling shaft - BAG2



M4 x 8 x 3 Ball bearing  
x 2pcs - BAG MD



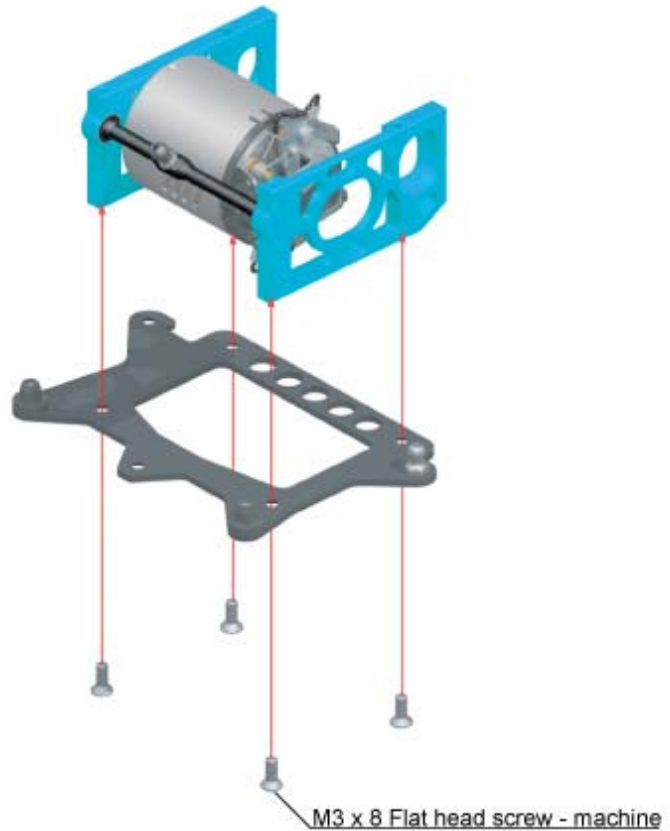
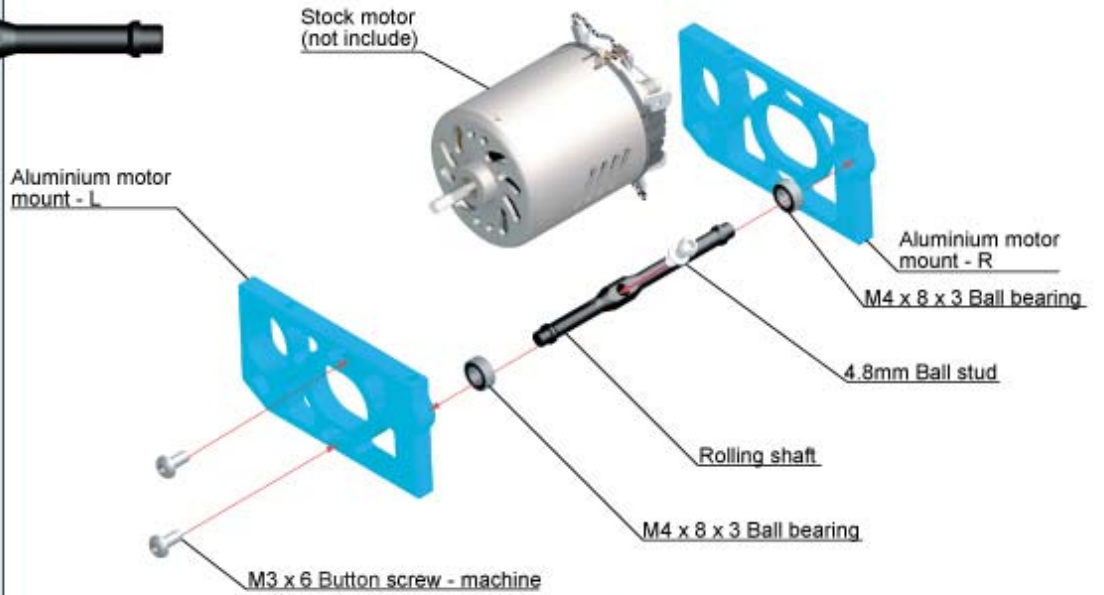
M3 x 6 Button screw  
- machine X 2pcs  
- BAG MA



M3 x 8 Flat head screw  
- machine X 4pcs  
- BAG MA



4.8mm Ball stud  
- BAG MC



**COMPETITRIX**  
A WEB SITE FOR THE SERIOUS RACER

**4. JOIN WITH MOTOR MOUNT AND BALL DIFFERENTIAL INSTALLATION:**

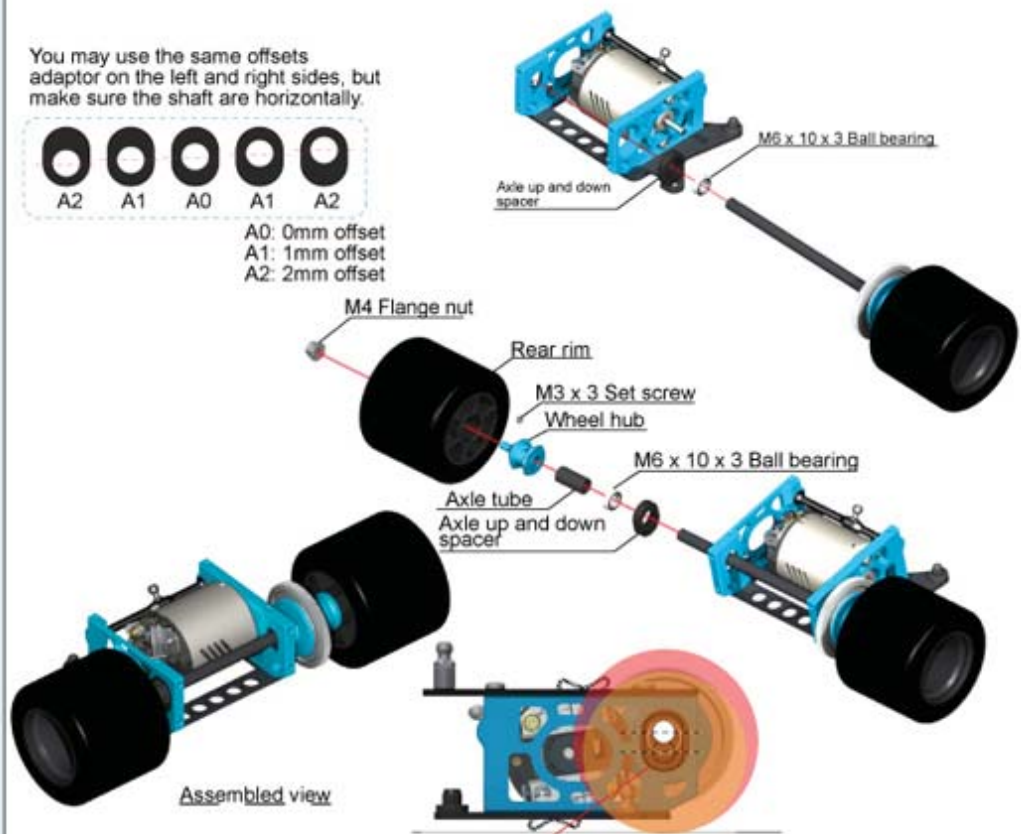
**FI-09**



You may use the same offsets adaptor on the left and right sides, but make sure the shaft are horizontally.



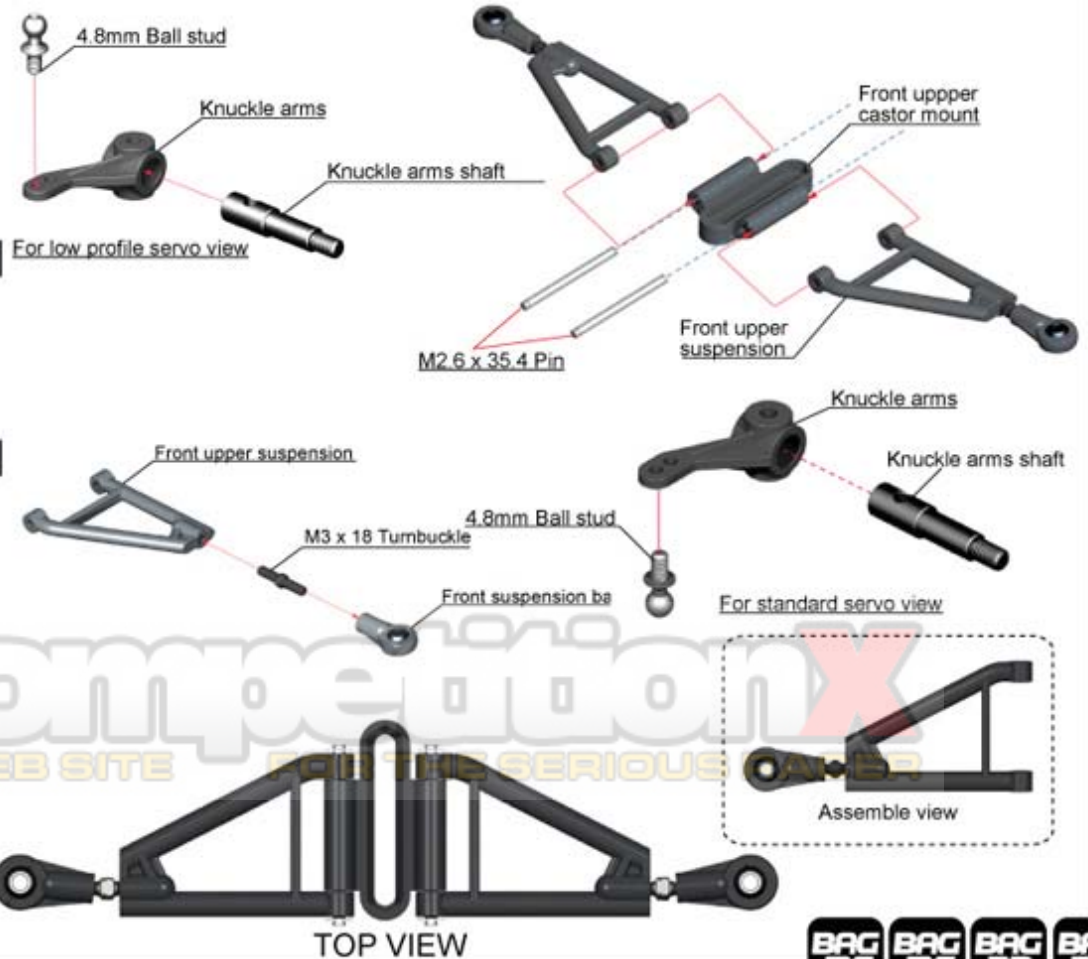
A0: 0mm offset  
A1: 1mm offset  
A2: 2mm offset



You may adjust the axle offsets to change the ground clearance to fit with actual on wheel diameter.



**5. FRONT SUSPENSION:**

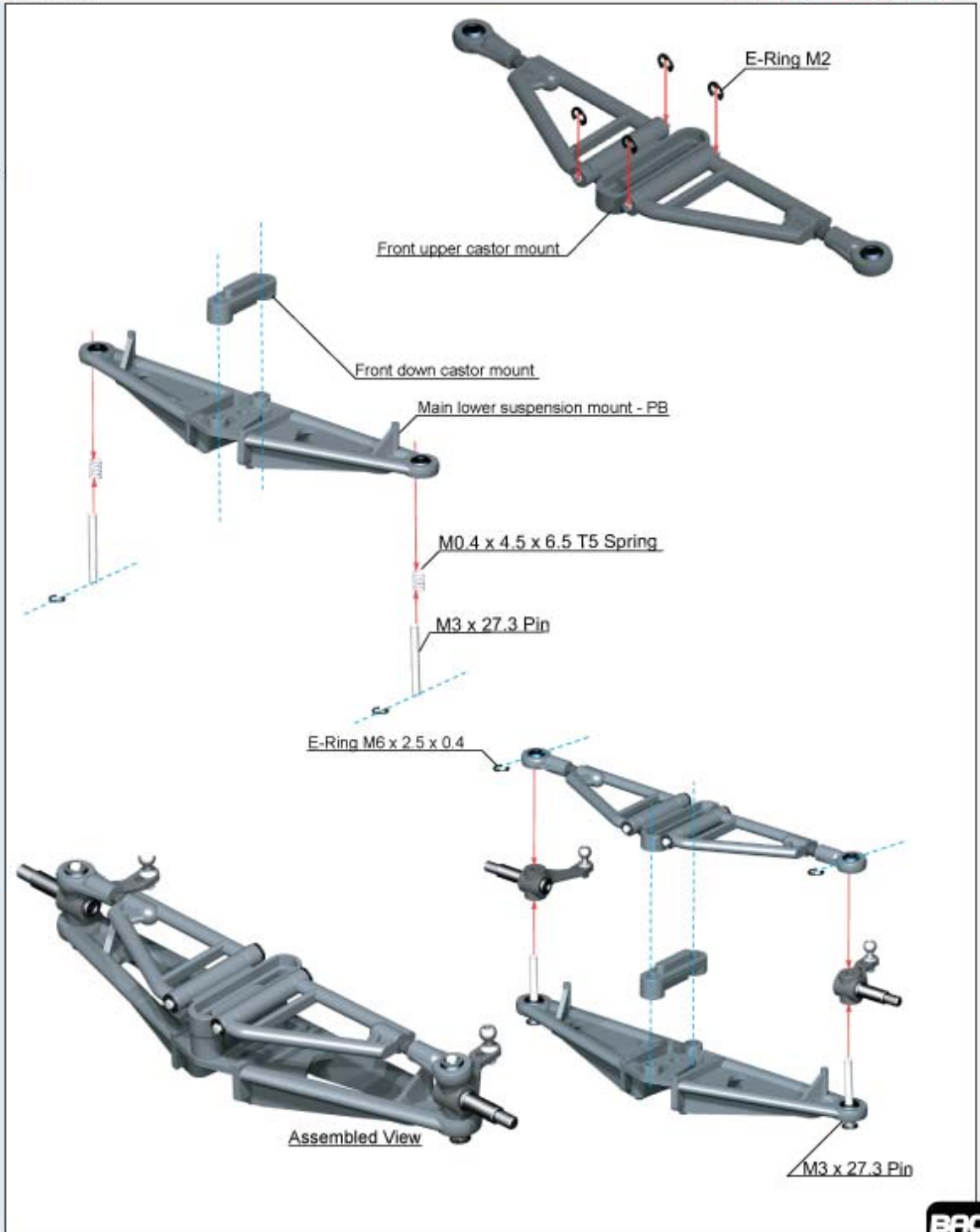




## 5. FRONT SUSPENSION:

**F1-09**

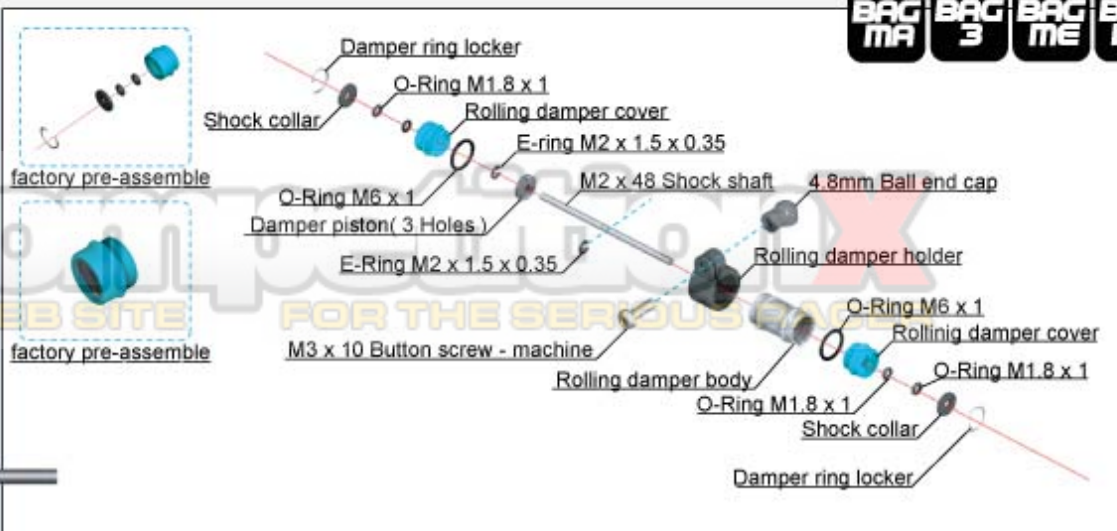
-  E-Ring M6 x 2.5 x 0.4  
X 4pcs - BAG PB
-  E-Ring M2 x 4pcs  
- BAG PB
-  M3 x 27.3 Pin X 2pcs - BAG PB
-  Front down castor mount  
- BAG PB
-  M0.4 x 4.5 x 6.5 T5  
Spring X 2pcs - BAG PB



**BAG  
PB**

## 6. ROLLING DAMPER BODY

-  E-Ring M2 x 1.5 x 0.35  
X 2pcs - BAG 3
-  M4.8 x 9mm Ball end  
cap - BAG ME
-  Rolling damper  
body - BAG 3
-  Rolling damper cover  
X 2pcs - BAG 3
-  Rolling damper holder  
- BAG PD2
-  M2 x 48 Shock shaft - BAG 3

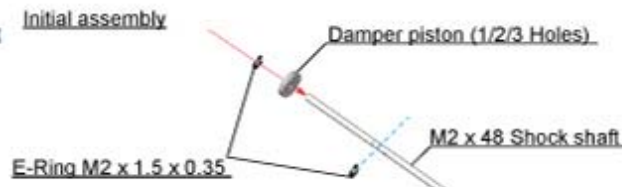


**BAG  
MA** **BAG  
3** **BAG  
ME** **BAG  
PD**

## 6. ROLLING DAMPER BODY

**FI-09**

- M2 X 48 Shock shaft - BAG 3
- E-ring M2 x 1.5 x 0.35 - BAG 3
- Damper piston 1/2/3 Holes( default setting - 3 Holes ) - BAG 3



- Rolling damper body - BAG 3
- Rolling damper cover - BAG 3
- O-Ring M6 x 1 - BAG 3



### SHOCK FILLING:

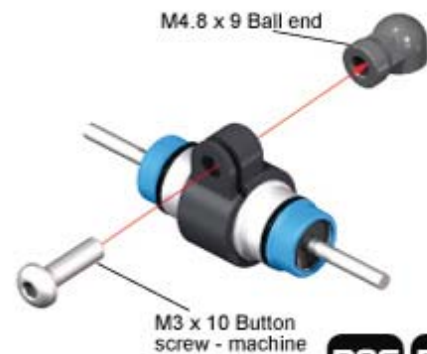
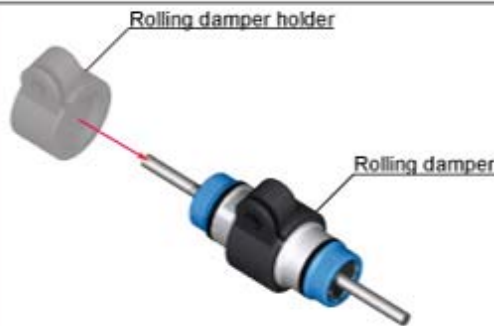
Fully push the piston rod to the bottom of the shock body, hold up the shock vertically and slowly the shock body with shock oil. Hold up the shock and allow the air bubbles to rise to the top, move the piston up and down slowly until no more air bubbles can be found.

SO2 SILICON OIL  
For rolling damper



**BAG 3**

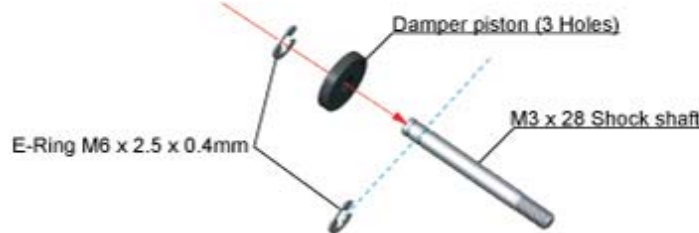
- M4.8 x 9 Ball end cap - BAG ME
- Rolling damper holder - BAG PD
- M3 x 10 Button screw - machine - BAG MA



**BAG MA BAG ME BAG PD**

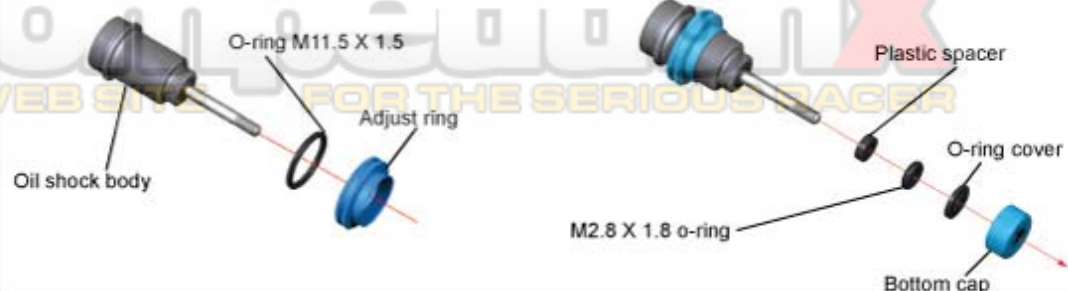
## 7. MAIN DAMPER BODY

- M3 x 28 Shock shaft - BAG 3
- Damper piston( 2/3 Holes) - BAG 3 ( default setting - 3 Holes )
- E-Ring 6 x 2.5 x 0.4mm 2pcs - BAG 3



**BAG 3**




- Adjust ring - BAG 3
- Oil damper Body - BAG 3

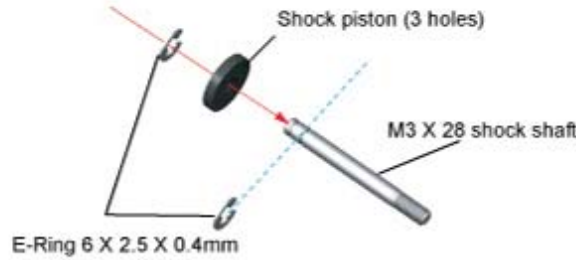


**BAG 3**

## 7. MAIN DAMPER BODY

**FI-09**

-  M3 X 28 shock shaft - Bag 3
-  shock piston (3 holes) - Bag 3
-  E-ring M6 X 2.5 X 0.4mm - Bag 3



**BAG 3**

-  Adjust ring - Bag 3
-  Oil shock body - Bag 3

-  Bottom cap - Bag 3

-  O-ring cover - Bag 3
-  M2.8 X 1.8 o-ring - Bag 3
-  Plastic spacer - Bag 3
-  Shock silicon cap - Bag 3

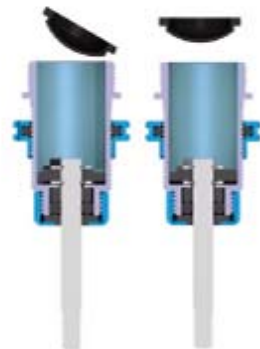
-  4.8mm X 10.2mm ball cap - Bag 3



Please Pre-thread the ball end hole using an M3 screw.



1. Fully pull the shock shaft to make the piston at the bottom of the shock body. Then hold the shock upright and overfill the shock body with shock oil slightly.
2. Slowly move the piston up and down to allow the bubbles to rise to the top until no more air bubbles appear.
3. Pull the shock shaft to make the piston at the bottom of the shock body again. Add shock oil as necessary. Let the shock rest for 5 minutes to allow the air bubbles to escape.
4. Place the shock silicon cap on top of the shock body from a side. Some oil will leak out and it is normal.
5. Fully tighten the cap and clean off any excess oil.



Cover the shock silicon cap to shock body, it will case some oil will leak out, this is a normal situation.

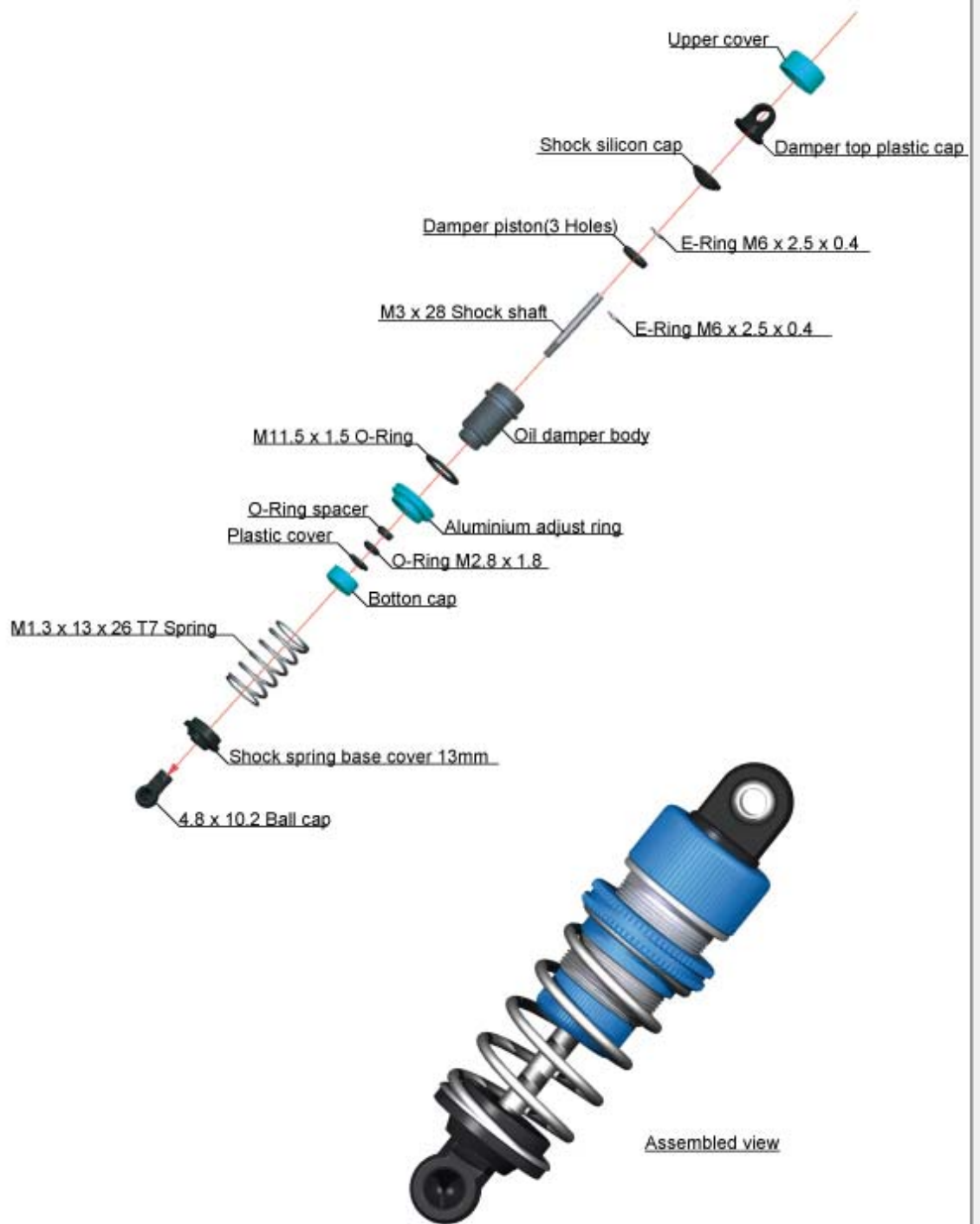
**Competition X**  
A WEB SITE FOR THE SERIOUS RACER

**BAG 3**

## 7. MAIN DAMPER BODY

**FI-09**

-  M3 x 28 Shock shaft - BAG 3
-  Oil shock body - BAG 3
-  Aluminium adjust ring - BAG 3
-  Upper cover - BAG 3
-  Bottom cap - BAG 3
-  E-Ring M6 x 2.5 x 0.4mm X 2pcs - BAG 3
-  Damper piston(3 Hole) - BAG 3
-  Plastic spacer - BAG 3
-  M2.8 x 1.8 O-Ring - BAG 3
-  O-Ring cover - BAG 3
-  Shock silicon cap - BAG 3
-  Shock spring base cover 13mm - BAG 3
-  O-Ring M11.5 x 1.5 - BAG 3
-  Damper top plastic cap - BAG 3
-  M4.8 x 10.2 Ball cap - BAG 3



Assembled view



## 8. CENTER BALL MOUNT

-  Ball mount cover - BAG PC8
-  Battery arm x 2 pcs - BAG PC4
-  M2 X 15 Pin X 2pcs - BAG MD
-  M5.9 Swing Ball - BAG MC
-  M2 x 6 Socket head screw 2pcs - BAG MA



**8. CENTER BALL MOUNT**



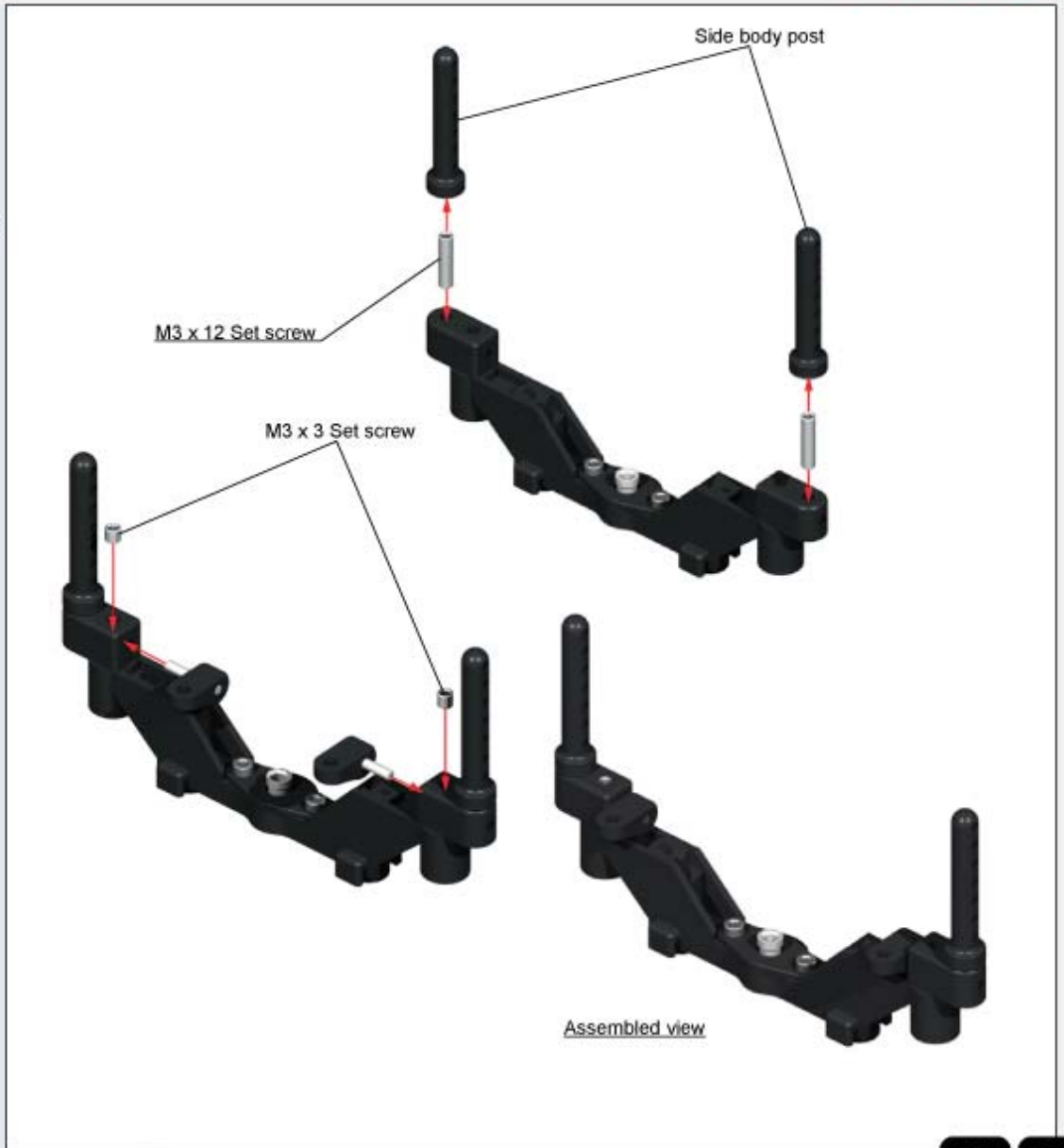
Body post X 2pcs -  
- BAG PC3



M3 x 12 Set screw X2pcs  
- BAG MA



M3 x 3 Set screw X 2pcs  
- BAG MC



**9. SERVO SAVER ASSEMBLY:**



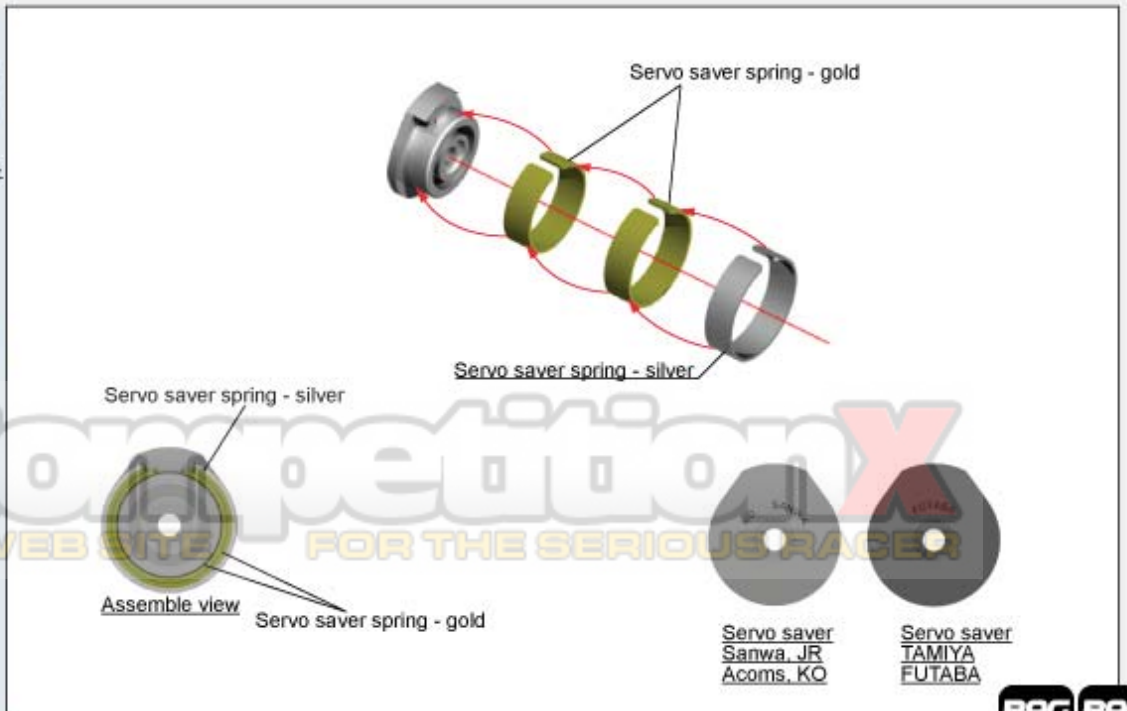
Servo saver -  
Sanwa, JR  
Acoms, KO  
- BAG PF4

Servo saver -  
TAMIYA  
FUTABA -  
BAG PF3



Servo saver spring - silver  
- BAG MB

Servo saver spring - gold  
X 2pcs  
- BAG MB



Servo saver  
Sanwa, JR  
Acoms, KO

Servo saver  
TAMIYA  
FUTABA

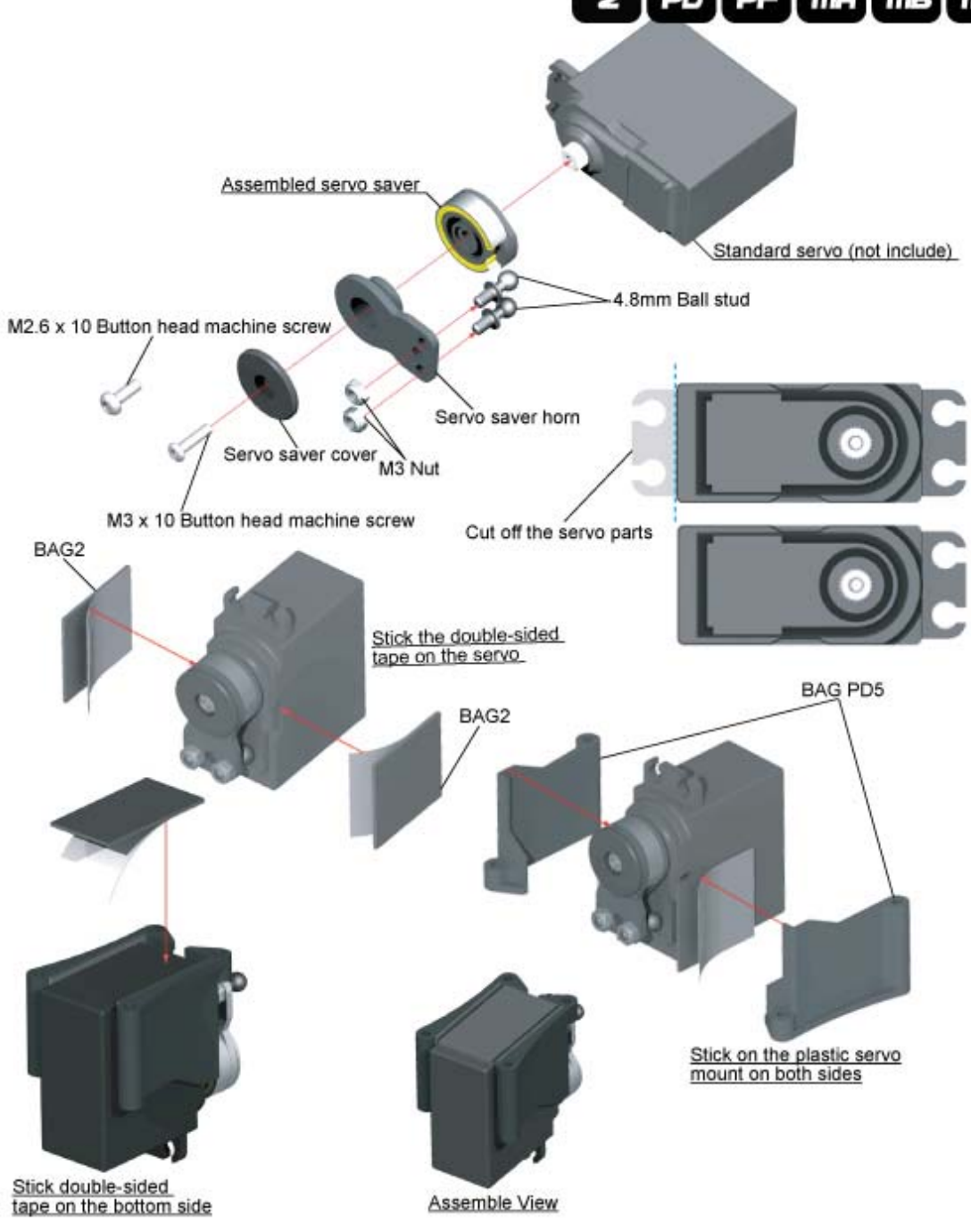


**10. ASSEMBLE WITH STANDARD SERVO**

**F1-09**

**BAG 2 BAG PD BAG PF BAG MA BAG MB BAG MC**

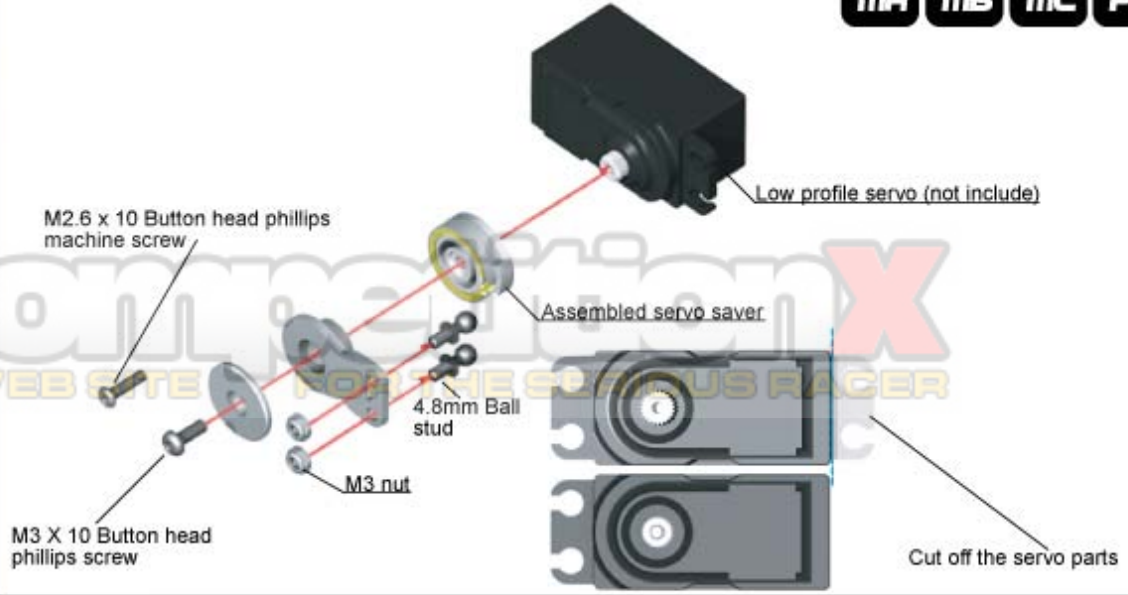
-  Servo saver - BAG PF3/4
-  Servo saver cover - BAG PF5
-  M3 Nut X 2pcs - BAG MB
-  4.8mm Ball stud X 2pcs - BAG MC
-  M3 x 10 Button head phillips screw - machine - BAG MA
-  M2.6 x 10 Button head phillips screws - BAG MA



**11. ASSEMBLE WITH LOW PROFILE SERVO**

**BAG MA BAG MB BAG MC BAG PF**

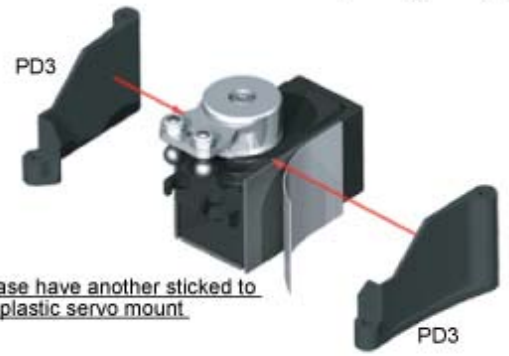
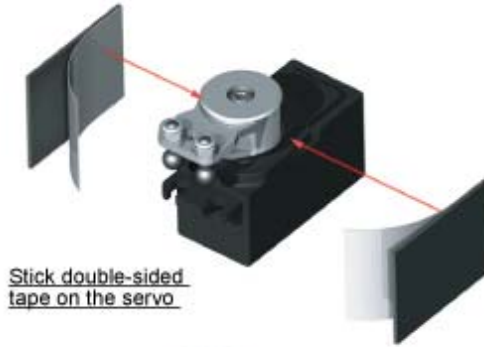
-  M3 x 10 Button phillips machine screws - BAG MA
-  M2.6 x 10 Button head phillips screws - BAG MA
-  4.8mm Ball stud - BAG MC
-  M3 Nut x 2pcs - BAG MB
-  Servo saver - BAG PF
-  Servo saver cover - Bag PF



11. ASSEMBLE WITH LOW PROFILE SERVO

**F1-09**

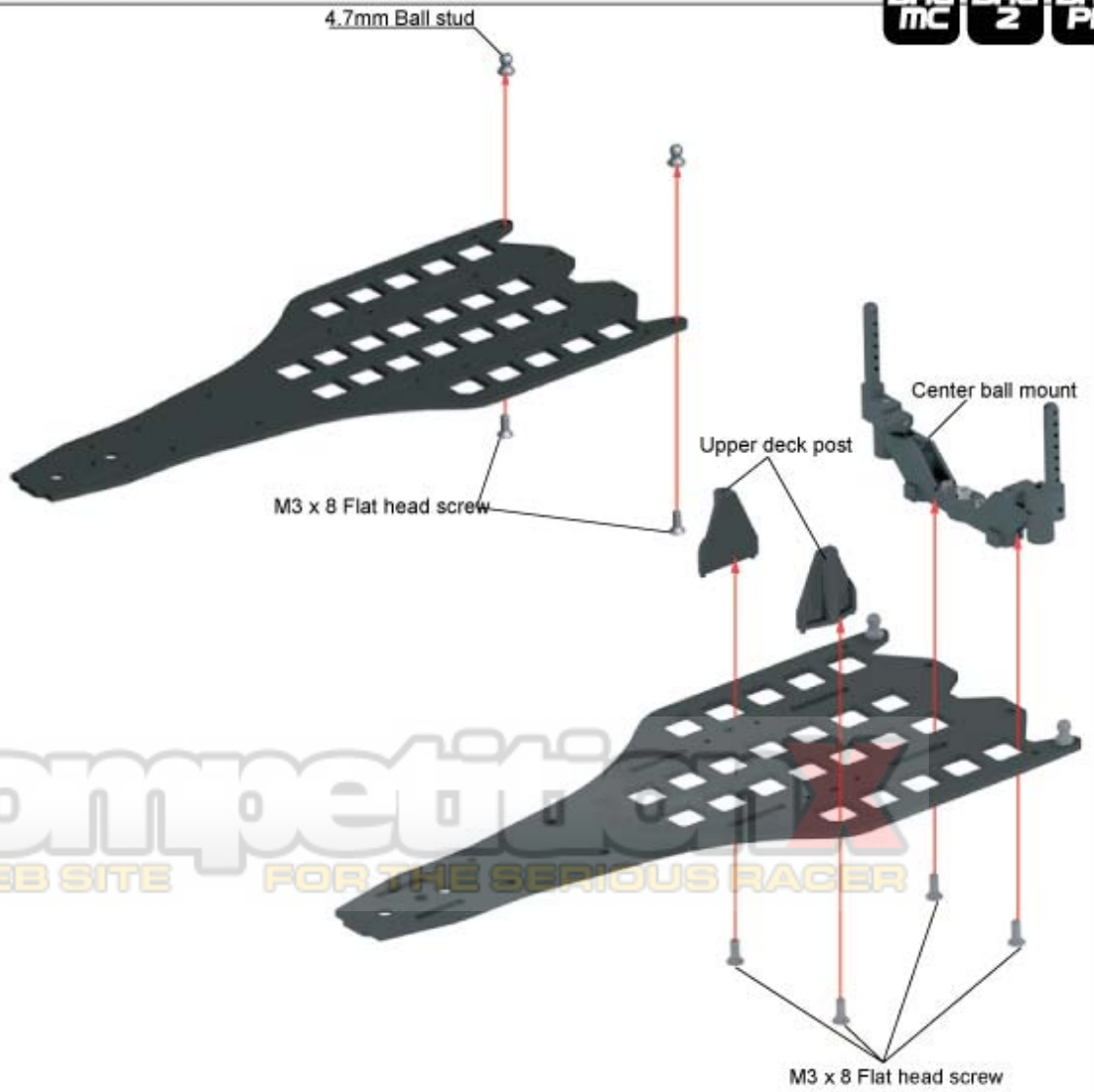
**BAG 2** **BAG PD** **BAG PF**



12. ASSEMBLE WITH MAIN CHASSIS

**BAG MC** **BAG 2** **BAG PD**

-  M3 x 8 Flat head screw - machine X 6pcs - BAG MA
-  4.7mm Ball stud X 2pcs - BAG MC
-  Upper deck post X 2pcs - BAG PD4




**COMPETITION**  
A WEB SITE FOR THE SERIOUS RAGER

**13. ASSEMBLE WITH SERVO & MAIN CHASSIS**

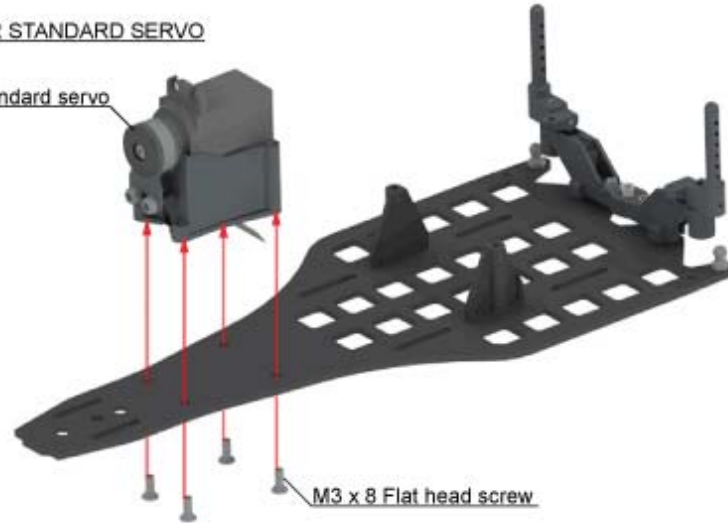
**F1-09**

**BAG  
MA**

 M3 X 8 Flat head  
X 4pcs

FOR STANDARD SERVO

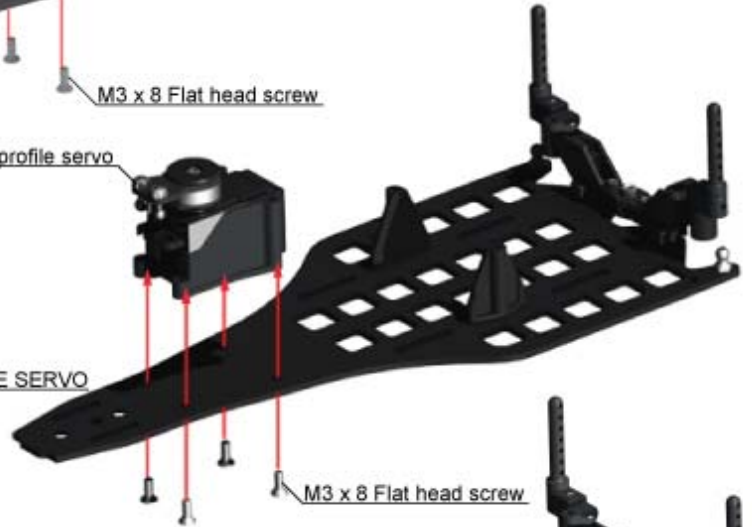
Standard servo



M3 x 8 Flat head screw

Low profile servo

FOR LOW PROFILE SERVO



M3 x 8 Flat head screw



ASSEMBLE VIEW

**14. ASSEMBLE WITH FRONT WING SET**

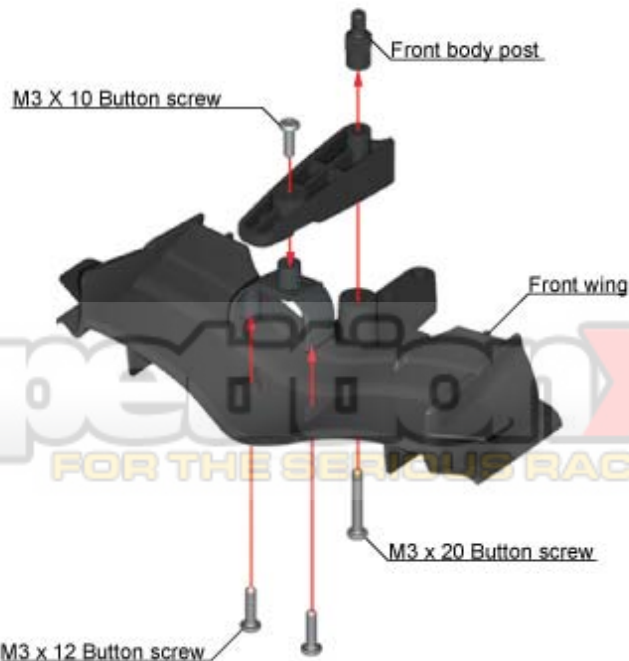
**BAG  
MA** **BAG  
PC** **BAG  
PG**

 M3 x 10 Button phillips screw  
- self tapping X 1pcs

 M3 x 12 Button phillips screw  
- self tapping X 2pcs

 M3 x 20 Button phillips screw  
- self tapping

 Front body post - BAG PC1



Front body post

M3 X 10 Button screw

Front wing

M3 x 20 Button screw

M3 x 12 Button screw

**CompetitionX**  
A WEB SITE FOR THE SERIOUS RACER



**15. ASSEMBLE WITH REAR WING MOUNT**

**FT-09**

**BAG MB BAG PG BAG Z BAG MA**



M3 x 16 Button screw - machine X 2pcs

M2 X 6 Flat head phillips screw - machine X 4pcs

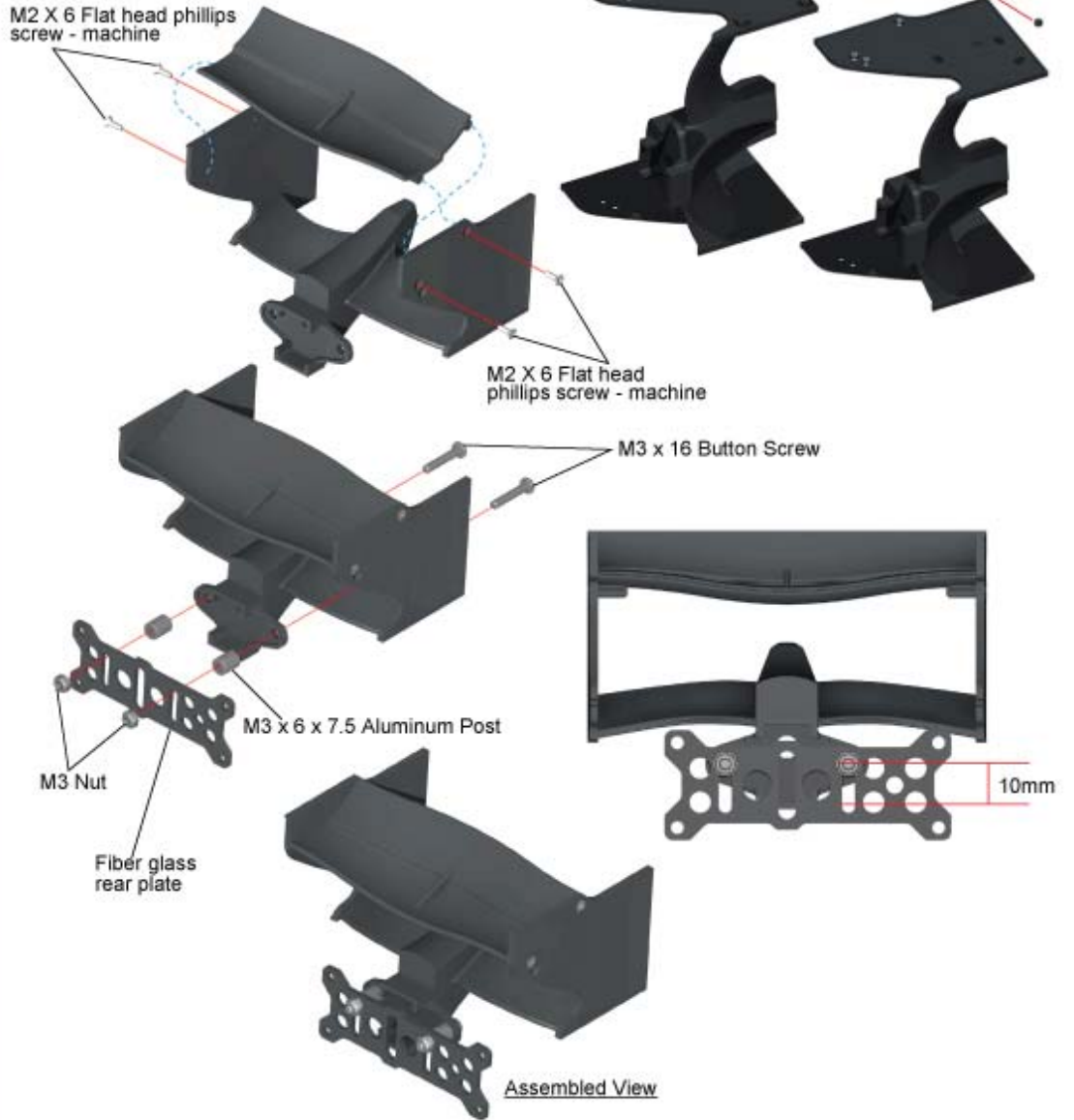


M3 x 6 x 7.5 Aluminum Post X 2pcs

M3 nut X 2pcs

M2 X 6 Flat head phillips screw - machine

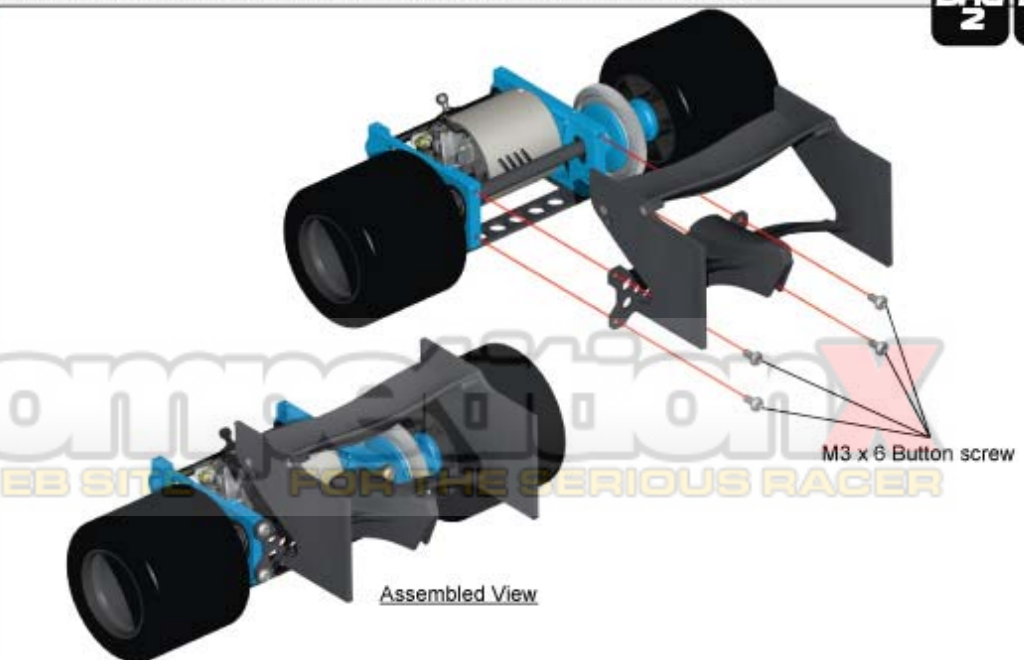
Cut off the plastic parts



**16. ASSEMBLE WITH MOTOR MOUNT AND REAR WING SET**

**BAG Z BAG PG BAG MA**

M3 x 6 Button screw X 4pcs



**17. ASSEMBLE WITH MAIN CHASSIS & FRONT SUSPENSION**

**FT-09**

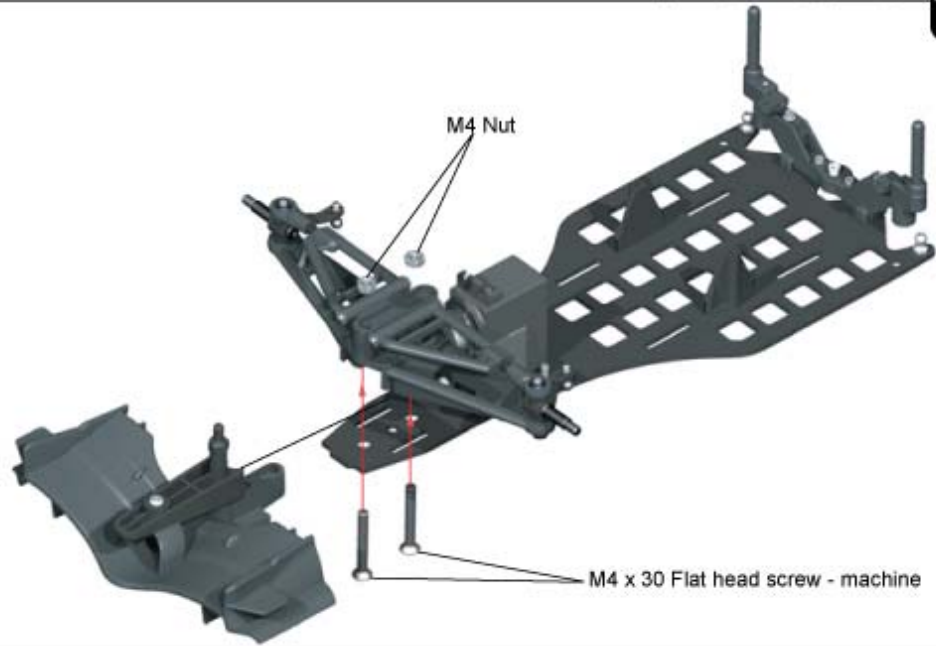
**BAG MA BAG MB**



M4 x 30 Flat head screw  
- machine X 2pcs - BAG MA



M4 Nut x 2pcs  
- BAG MB



**18. ASSEMBLE WITH CENTER MOUNT & MAIN CHASSIS**

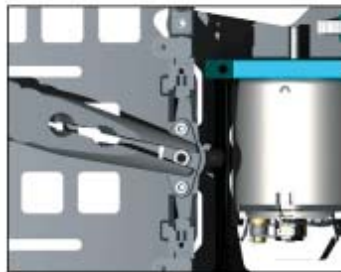
**BAG MA**



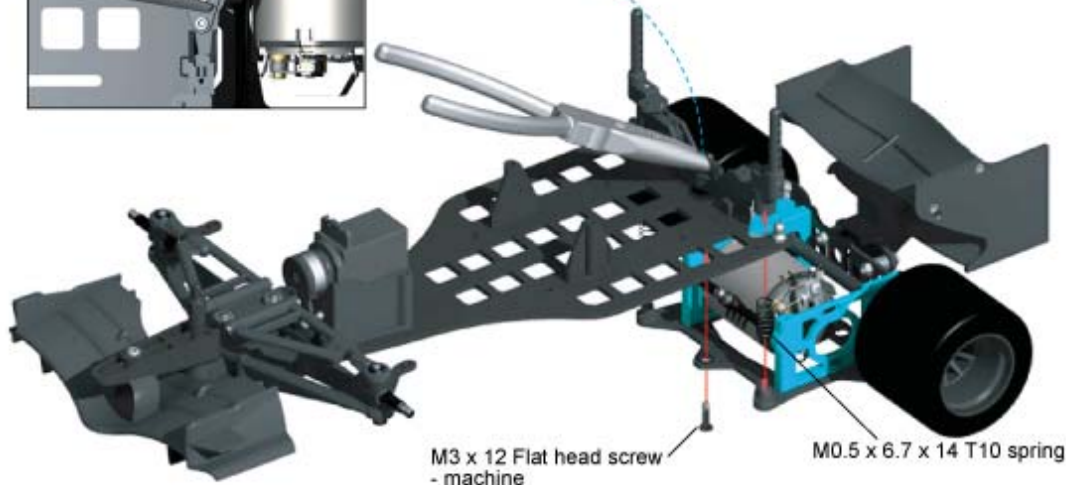
M3 x 12 Flat head screw  
- machine - BAG MA



M0.5 x 6.7 x 14 T10 spring



Use pliers to hold up the hollow ball on the center mount, insert the M3 x 12 Flat screw - machine from motor mount plate to center ball mount.



**19. ASSEMBLE WITH CENTER MOUNT & ROLLING DAMPER**

**BAG MD BAG MA**

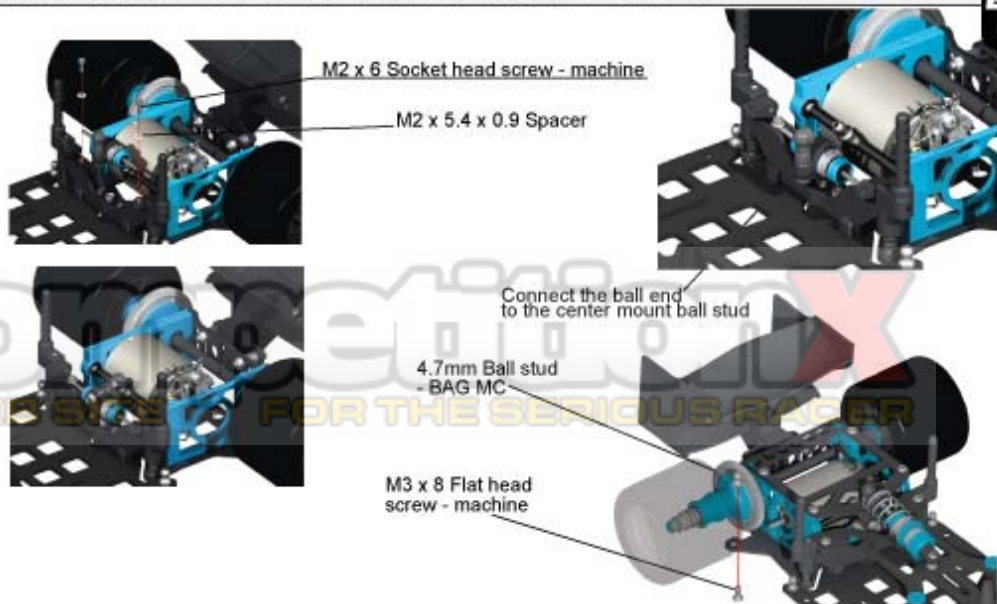


M2 x 5.4 x 0.9 Spacer  
X 2pcs - BAG MD

M2 x 6 Socket head screw - machine  
X 2pcs - BAG MA

M3 x 8 Flat head screw - machine  
- BAG MA

4.7mm Ball stud - BAG MC

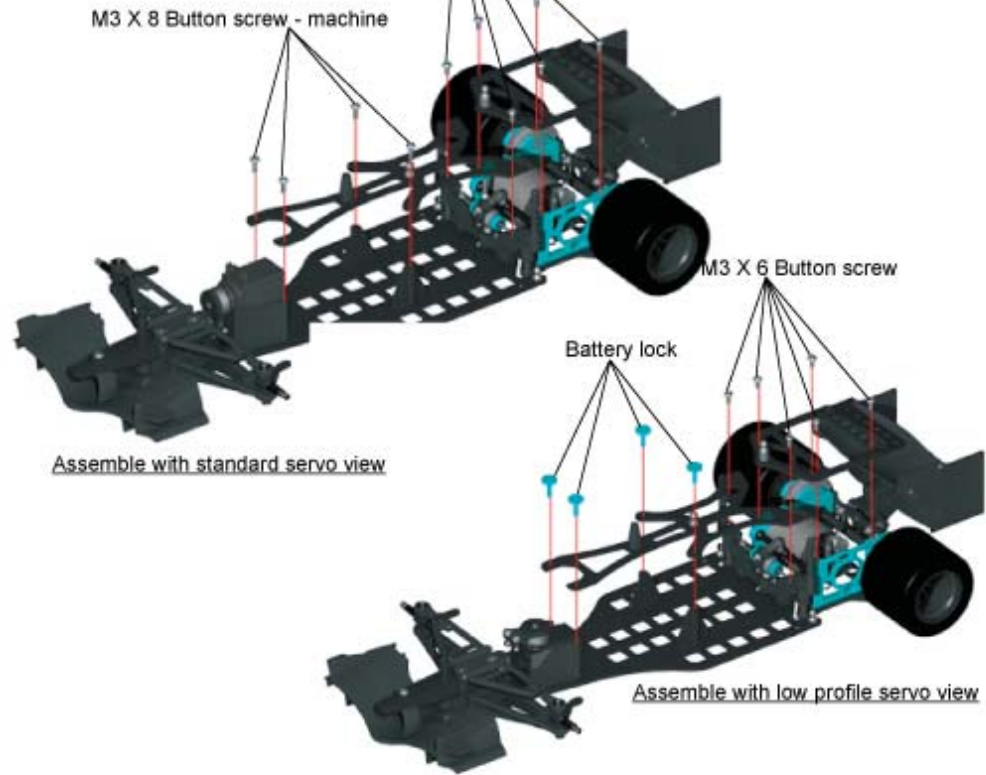
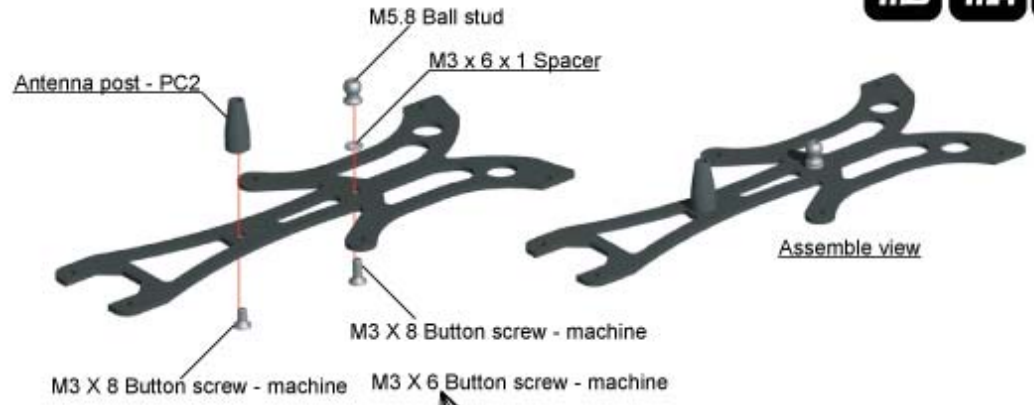


**20. ASSEMBLE WITH UPPER DECK**

**F1-09**



**BAG MB BAG MA BAG 2**

-  Battery lock X 4pcs - BAG MB
-  M3 x 8 Button screw machine X 4pcs - BAG MA
-  M3 x 6 Button Screw machine X 6pcs - BAG MA
-  M5.9 Swing ball - Bag MC
-  M3 x 8 Flat screw machine X 2pcs
-  M5.8 Ball stud



**21. ASSEMBLE WITH FRONT TYRE**

**BAG MB BAG MD BAG PA**

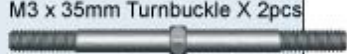

-  M5 x 8 x 2.5 Ball bearing X 4pcs - BAG MD
-  M4 Flange nut x 2pcs - BAG MB

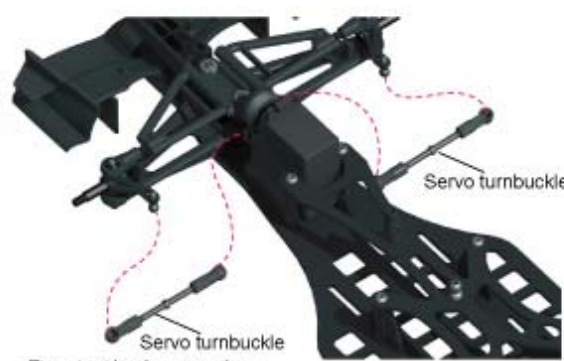
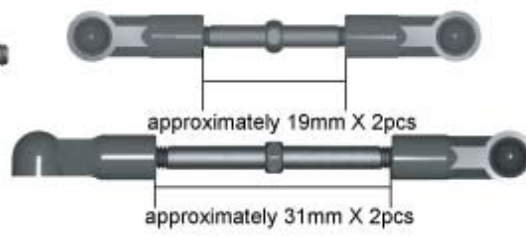


**22. ASSEMBLE WITH STEERING AND MOTOR TURNBUCKLE**

**FT-09**

**BAG ME**

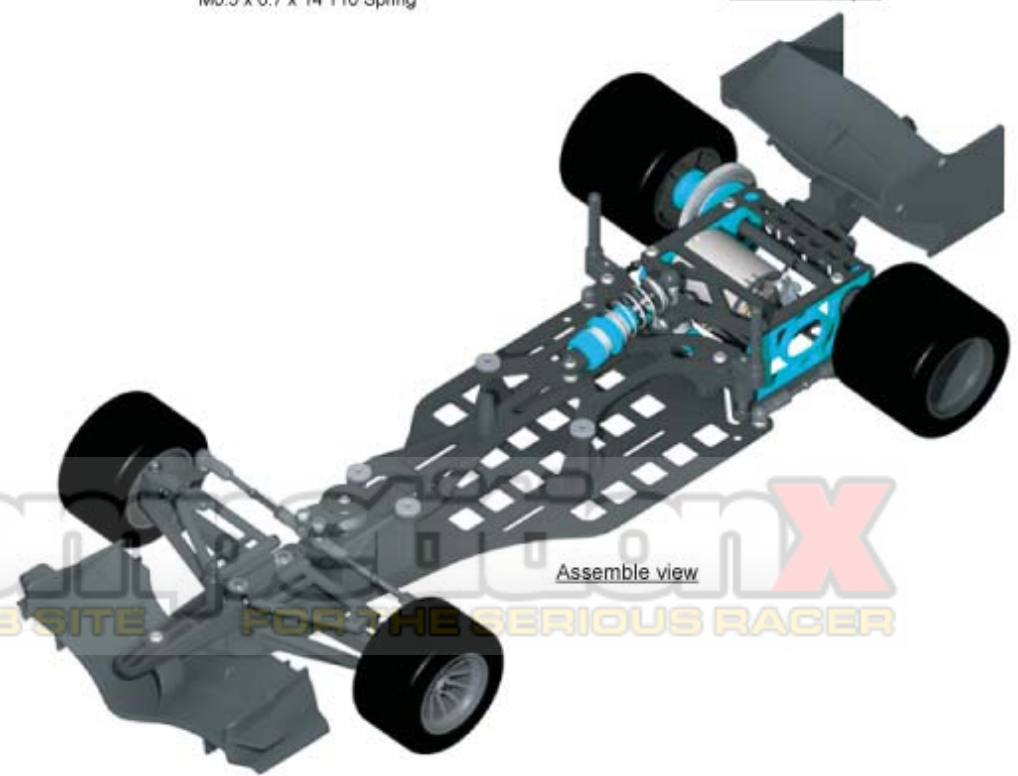
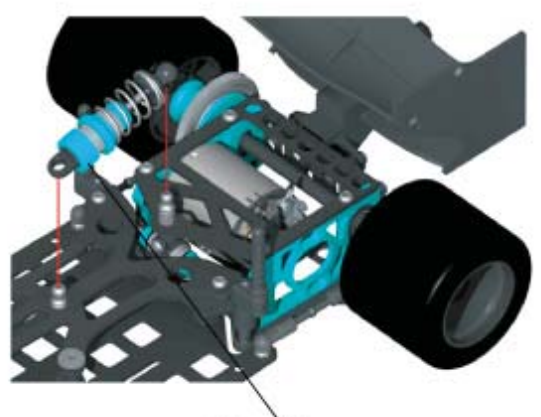
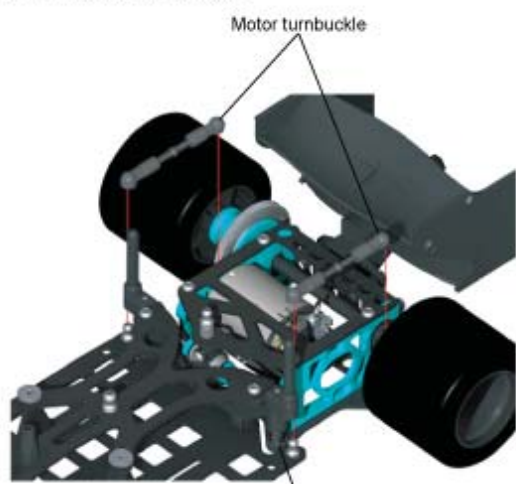
-  M3 x 35mm Turnbuckle X 2pcs
-  M3 x 45mm Turnbuckle X 2pcs
-  4.8 x 15mm Ball cap X 8pcs
-  M0.5 X 6.7 X 14 T10 spring X 2pcs



For standard servo view



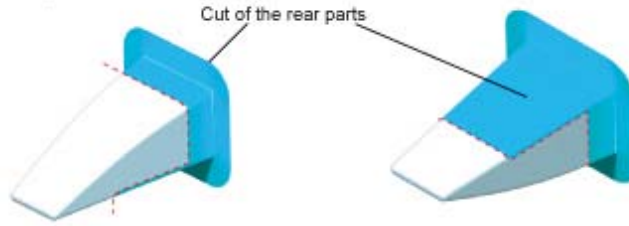
For low profile view



**GoldenX**  
A WEB SITE FOR THE SERIOUS RAGER



Front part of lexan car body



Cut of the rear parts



Finished view

BAG PE 1



BAG PE 2



BAG PE 2

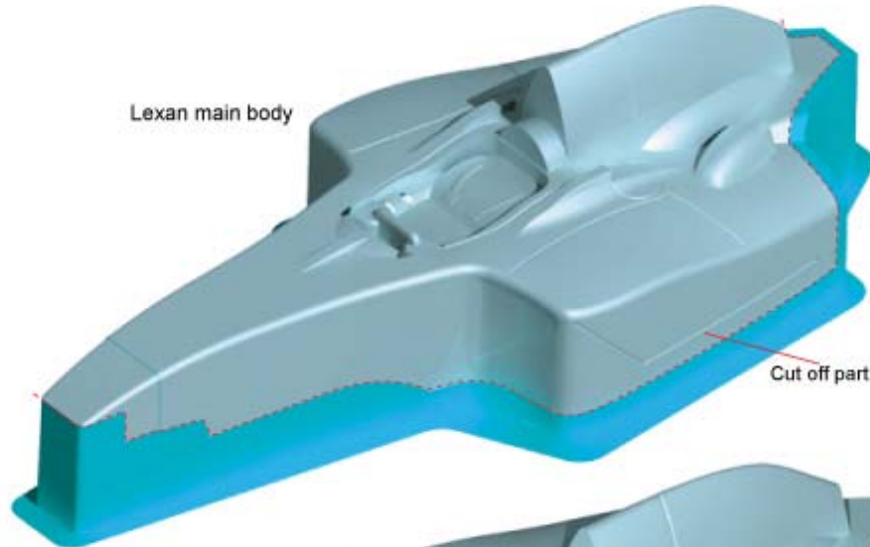


BAG PE 5



BAG PE 6

Lexan main body



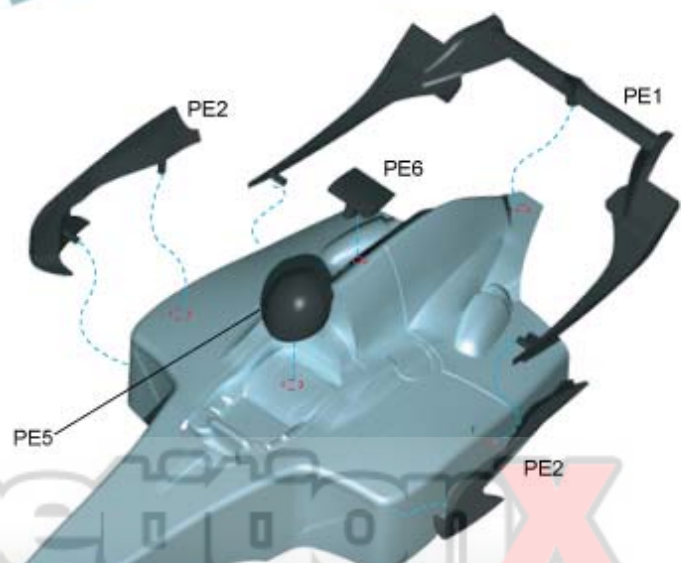
Cut off part



Finished view







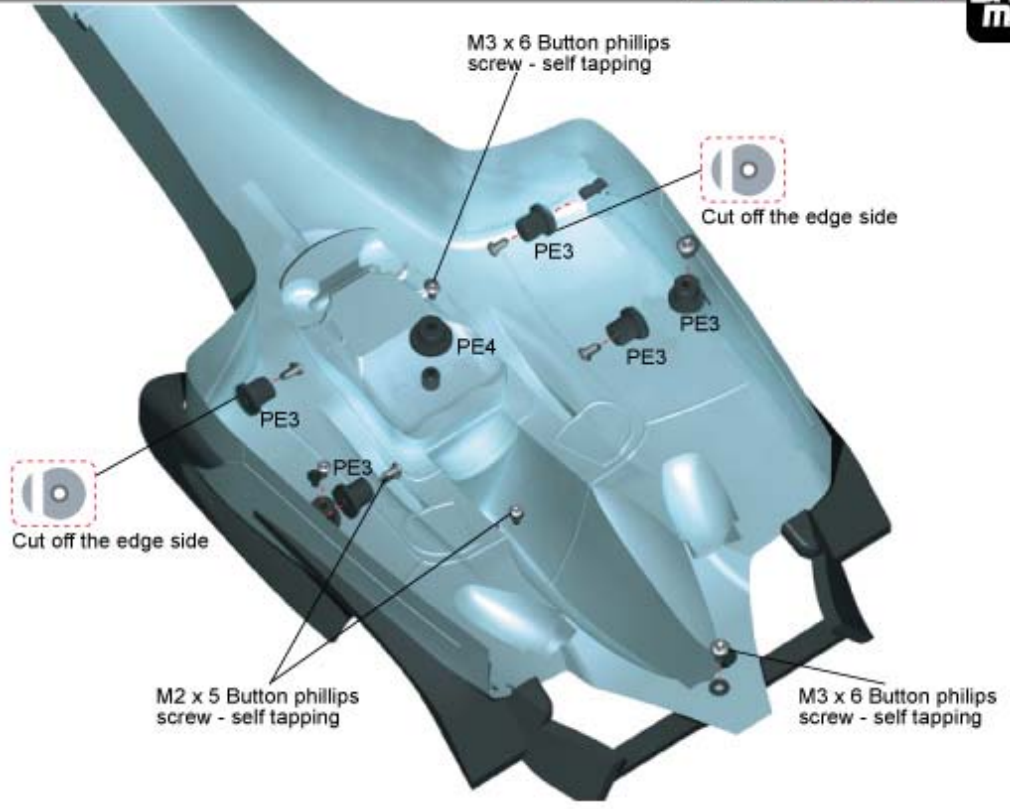
Apply some glue on the plastic parts



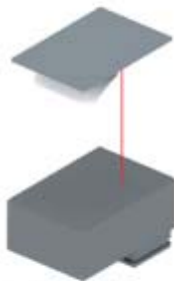
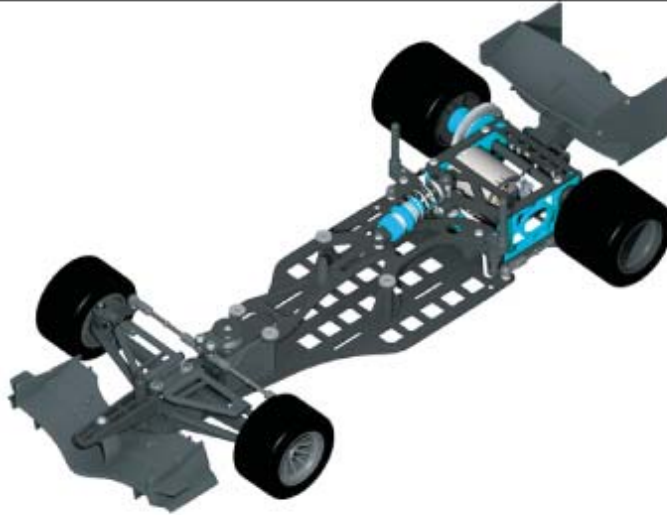
COMPETE  
A WEB SITE FOR THE SERIOUS

Pre-marked hole, we recommend that you drill the body hole using our Body Reamer( #TR-190002 )

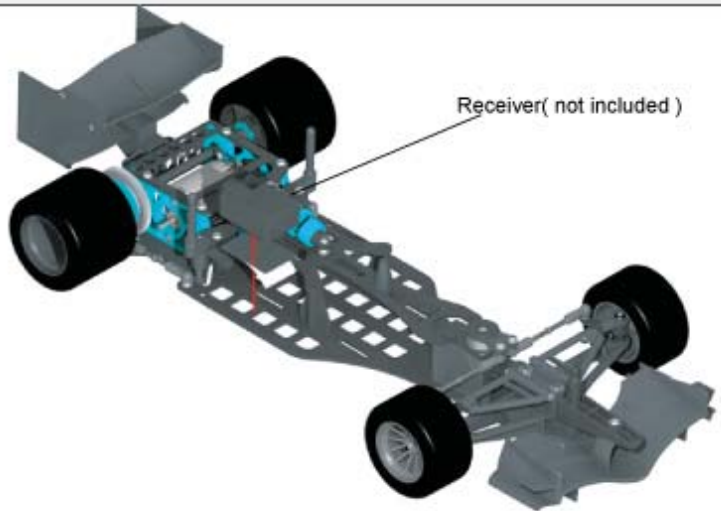
-  M2 x 5 Button phillips screw - self tapping X 7pcs
-  M3 x 6 Button phillips screw - self tapping X 2pcs
-  PE3 - Plastic adaptor X 6pcs
-  PE4 - Plastic adaptor



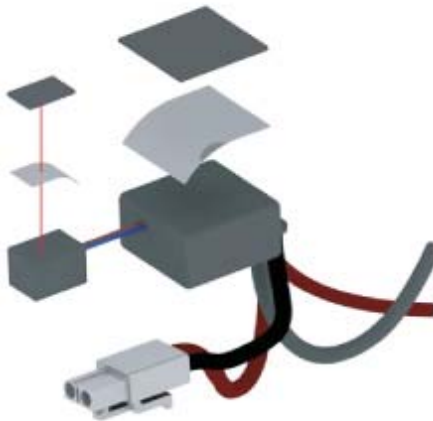
**CompetitionX**  
A WEB SITE FOR THE SERIOUS RACER



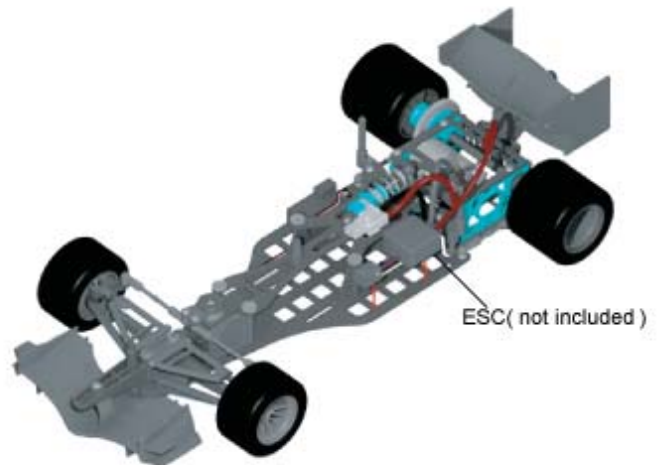
Stick the double-side tape on the bottom of the receiver



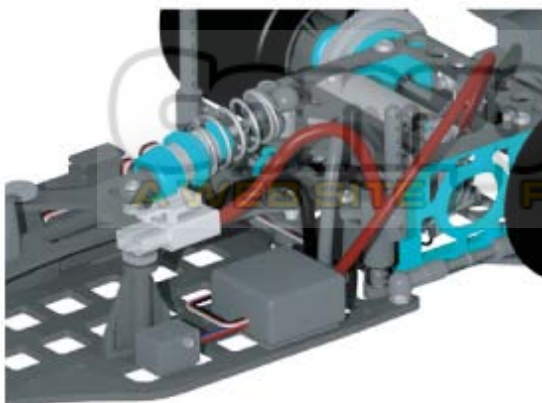
Receiver( not included )



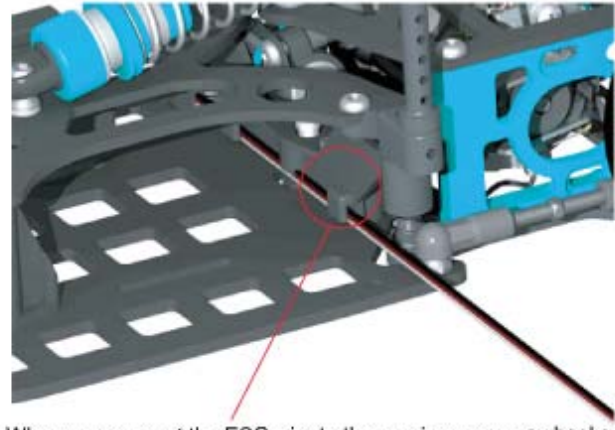
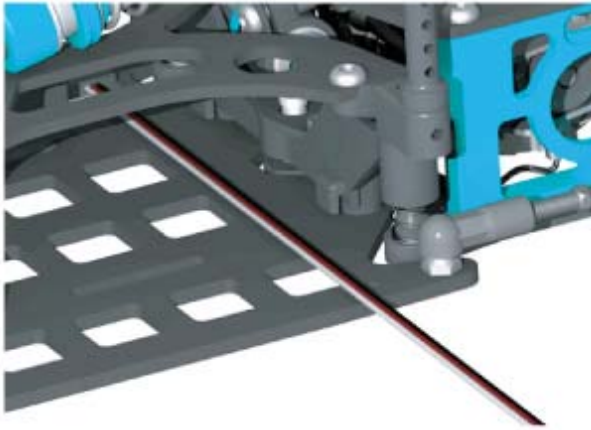
Stick the double-side tape on the bottom of the ESC



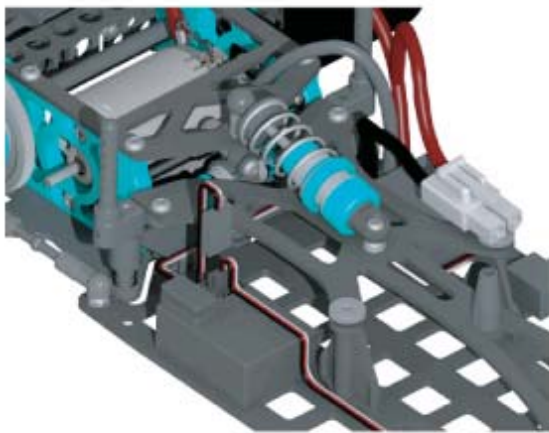
ESC( not included )



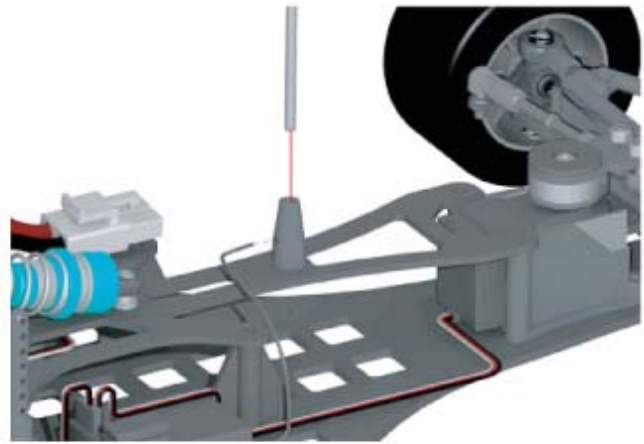
Connect the servo to receiver



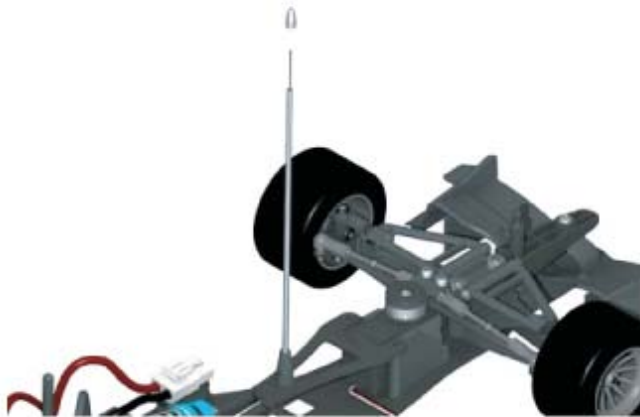
When you connect the ESC wire to the receiver, you may hook the ESC wire on the edge of center mount.



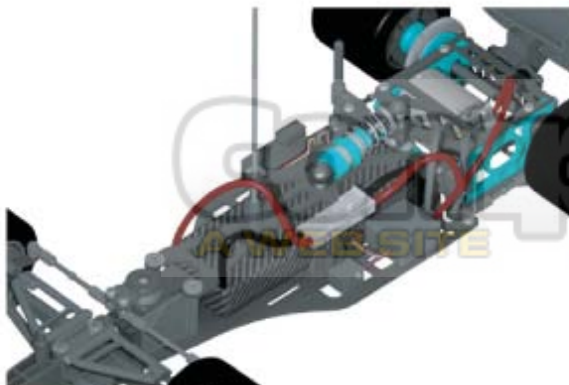
Connect the ESC wire with the receiver channel plug



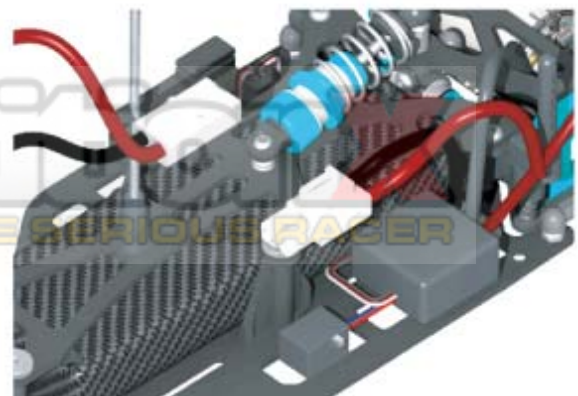
Connect the antenna wire through antenna post mount to the tube.



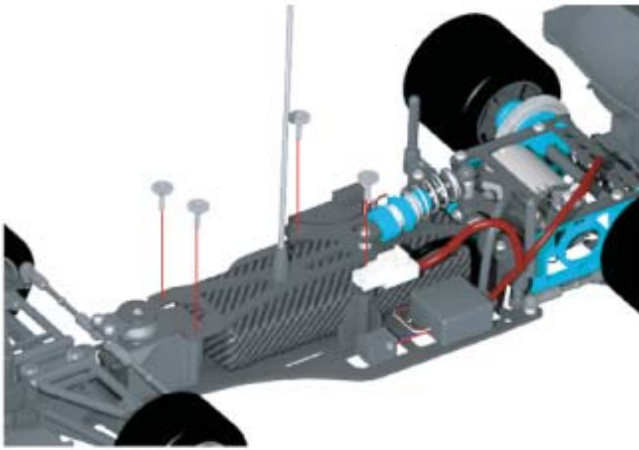
Add the antenna tube cover



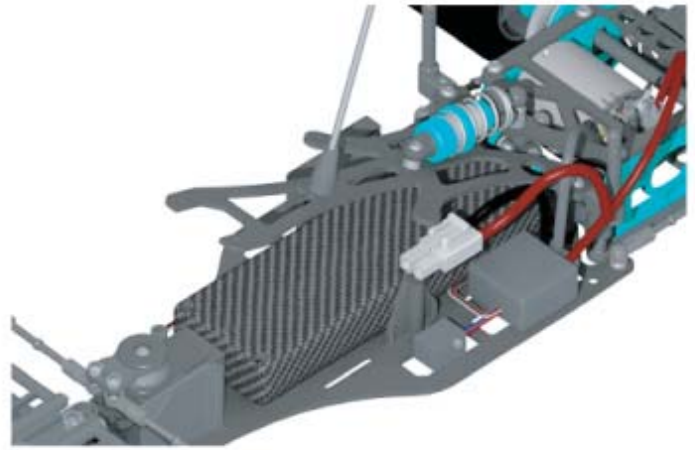
How to change a battery:  
For use on low profile servo, you can change the battery by unlocking off the quick change battery lock nut. First of all, remove the battery plug



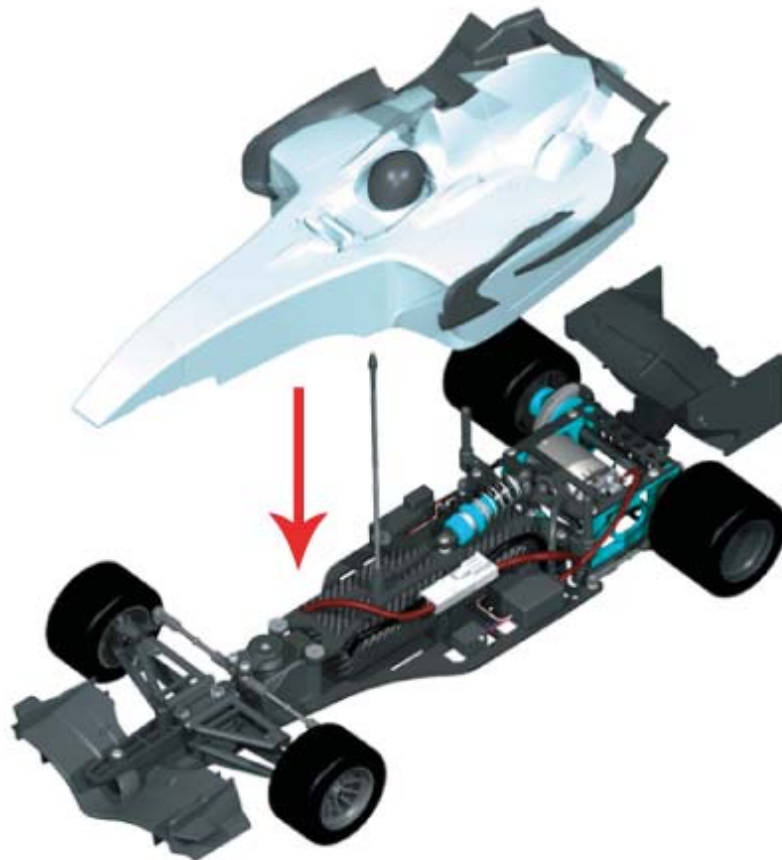




Then remove the battery nuts.



Finally, pull up the upper deck and remove / insert battery as needed to suitable angle.











Assemble view

**BAG 3**

-  Rolling damper cover X 2pcs
-  Rolling damper body X 1pc
-  M2 X 48 Shock shaft X 1pc
-  Shock collar X 2pcs
-  Damper piston ( 1 hole ) X 1pc

-  Damper piston ( 2 holes ) X 1pc
-  Damper piston ( 3 holes ) X 1pc
-  O-ring M6 X 1 X 2pcs
-  Damper ring locker X 2pcs
-  O-ring M1.8 X 1 X 4pcs
-  E-ring M2 X 1.5 X 0.35 X 2pcs

-  SO1  
SILICON OIL For main damper
-  M3 X 28 Shock shaft X 1pc
-  Oil damper body X 1pc
-  Aluminium adjust ring X 1pc
-  Upper cover X 1pc
-  Bottom cap X 1pc
-  E-ring M6 X 2.5 X 0.4mm X 2pcs
-  Damper piston( 3 Holes ) X 1pc
-  Damper piston( 2 Holes ) X 1pc

-  SO2  
SILICON OIL For rolling damper
-  Plastic spacer X 1pc
-  O-ring M2.8 X 1.8 X 1pc
-  O-ring cover X 1pc
-  Shock silicon cap X 1pc
-  M1.3 X 13 X 26 T7 Spring X 1pc
-  O-ring M11.5 X 1.5 X 1pc
-  Damper top plastic cap X 1pc
-  M4.8 X 10.2 Ball cap X 1pc

**BAG 3**



Front rim



Rear rim

**BAG PA**

-  M4 Nut X 2pcs
-  M4 Flange nut X 4pcs
-  Battery lock X 4pcs
-  M3 Nut X 4pcs
-  Servo spring - gold X 2pcs
-  Servo spring - silver X 1pc

**BAG MB**

98T Gear differential

Differential housing shaft

Differential housing

Wheel hub

M5 X 11 Disk spring X 2pcs

1/8" Steel ball X 8pcs

M11 Differential spacer spring

Trust washer X 2pcs

Ball thrust bearing X 2pcs

F5-11G

M27 Differential spacer X 2pcs

DG1 DIFF. GREASE For diff. spacer

DG2 DIFF. GREASE 1/8" steel ball

Fiber glass main shaft

**BAG 1**

Aluminium motor mount-L

Aluminium motor mount-R

Double side stick tape

Fiber glass motor mount rear plate

Rolling shaft

Fiber glass motor mount upper deck

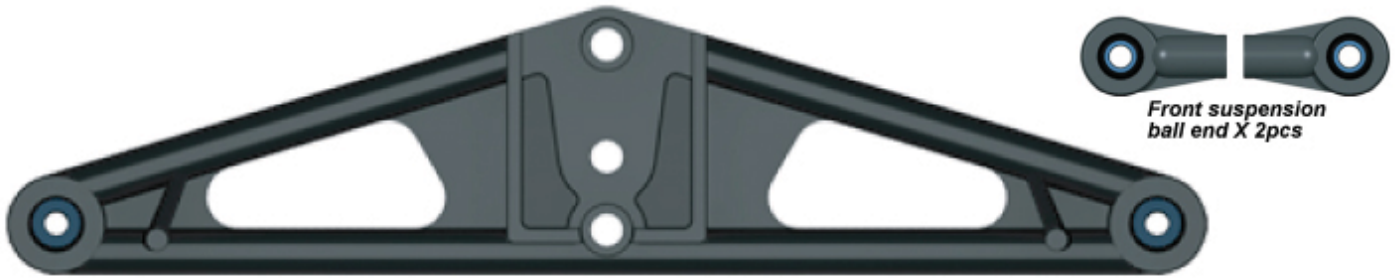
Fiber glass motor mount lower deck

Fiber glass upper deck

Fiber glass lower deck

Plastic antenna

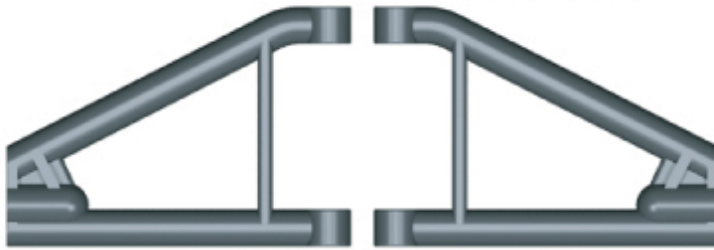
**BAG 2**



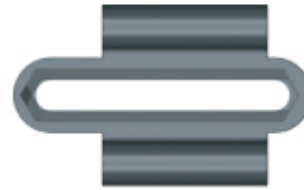
**Main lower suspension mount**



**Front suspension ball end X 2pcs**



**Front upper suspension**



**Front upper castor mount**



**Front down castor mount**

**M3 X 27.3 Pin X 2pcs**

**M2.6 X 35.4 Pin X 2pcs**

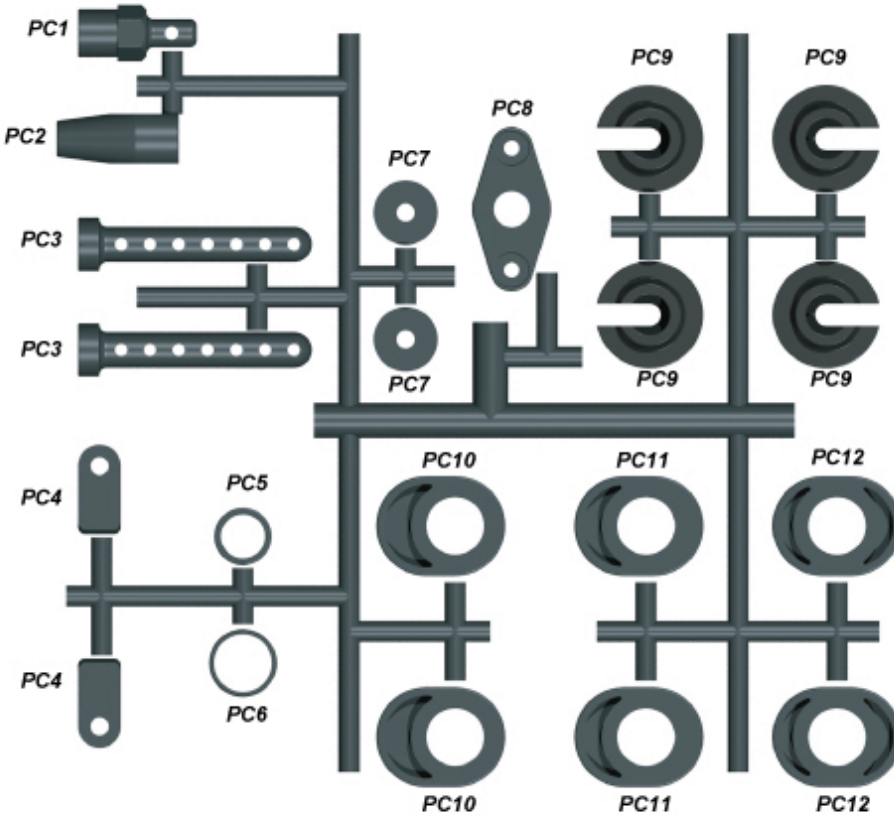
**E-ring M6 X 2.5 X 0.4 X 4pcs**

**E-ring M2 X 4pcs**

**Knuckle arm shaft X 2pcs**

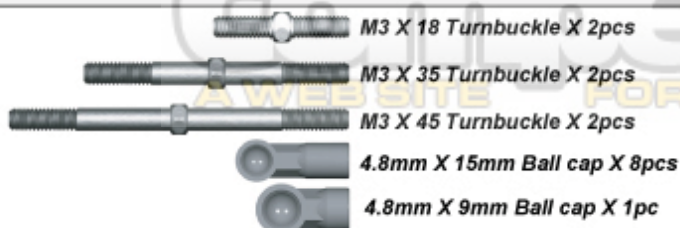
**M0.4 X 4.5 x 6.5 T5 Spring X 2pcs**

**BAG PB**



- PC1 - Front body post
- PC2 - Antenna post
- PC3 - Body post
- PC4 - Battery arm
- PC5 - Axle tube
- PC6 - M8 x 9.5 x 4 Gear ring
- PC7 - Bottom spring holder
- PC8 - Ball mount cover
- PC9 - Shock spring base cover 13mm
- PC10 - Axle up and down spacer - 2 deg
- PC11 - Axle up and down spacer - 1 deg
- PC12 - Axle up and down spacer - 0 deg

**BAG PC**



**M3 X 18 Turnbuckle X 2pcs**

**M3 X 35 Turnbuckle X 2pcs**

**M3 X 45 Turnbuckle X 2pcs**

**4.8mm X 15mm Ball cap X 8pcs**

**4.8mm X 9mm Ball cap X 1pc**

**BAG ME**

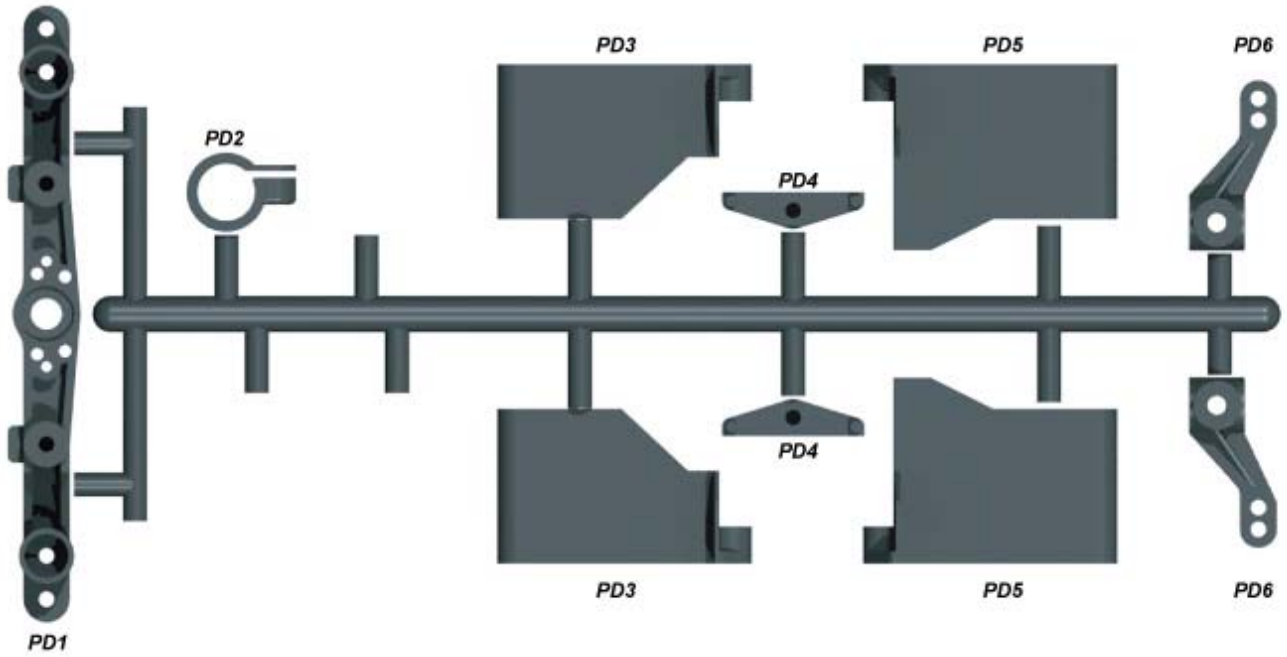
**4.8mm Ball stud X 5pcs**

**4.7mm Ball stud X 5pcs**

**M5.9 Swing ball X 1pc**

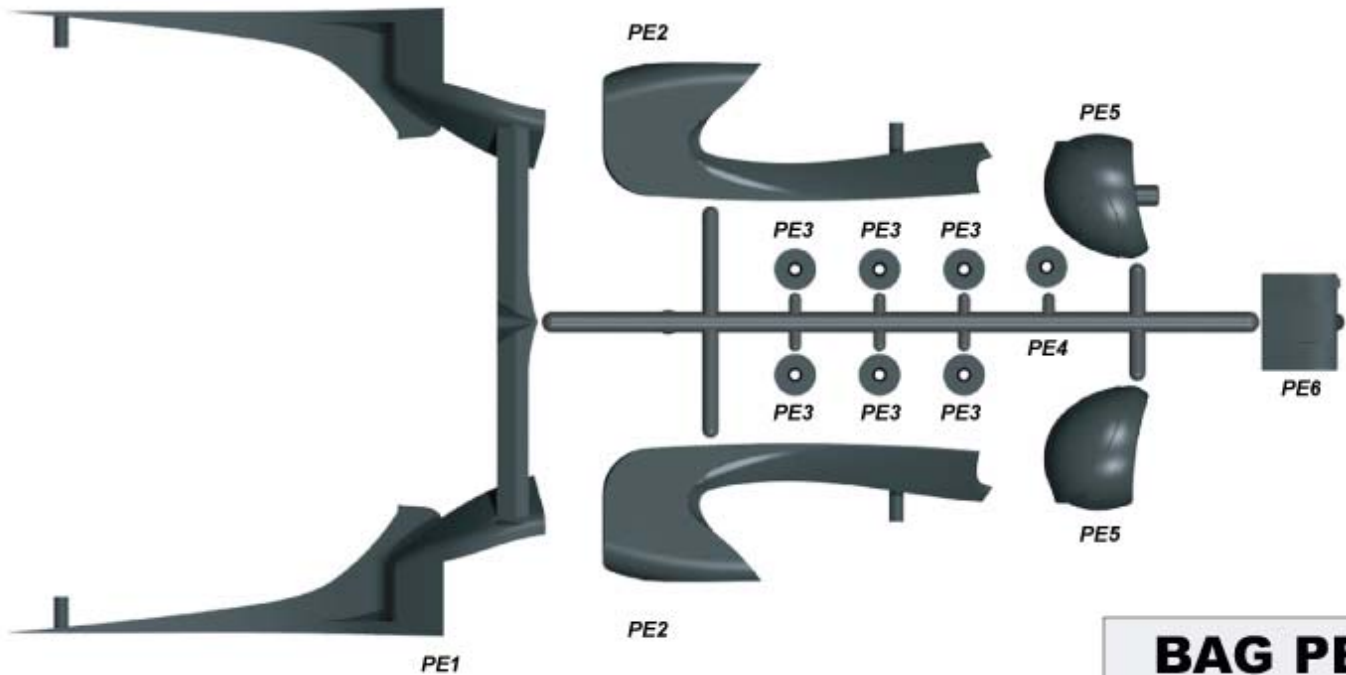
**M5.8 Ball stud X 1pc**

**BAG MC**













- PD1 - Ball mount
- PD2 - Rolling damper holder
- PD3 - Low profile servo mount
- PD4 - Upper deck post
- PD5 - Upper deck post
- PD6 - Knucle arm

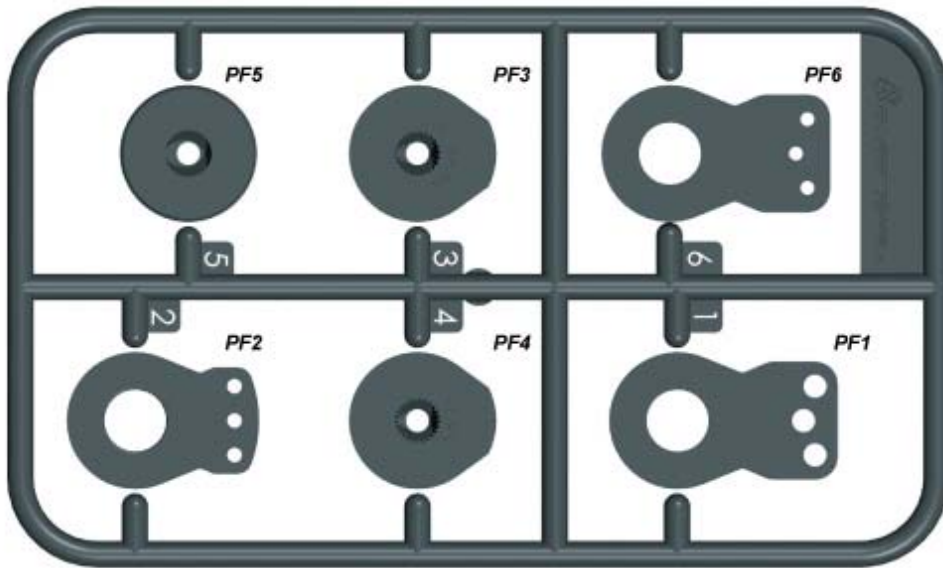
**BAG PD**



**BAG PE**

- |  |                                   |   |                                    |
|--|-----------------------------------|---|------------------------------------|
|  | M8 X 12 X 3.5 Ball bearing x 2pcs |  | M4 X 8 X 3 Ball bearing x 2pcs     |
|  | M6 X 10 X 3 Ball bearing x 2pcs   |  | M3 X 6 X 6 Aluminium post X 1pc    |
|  | M5 X 8 X 2.5 Ball bearing x 4pcs  |  | M3 X 6 X 7.5 Aluminium post X 2pcs |
|  | M2 X 15 Pin X 2pcs                |  | M3 X 6 X 1 Aluminium spacer X 2pcs |
|  |                                   |  | M2 X 5.4 X 0.9 spacer X 2pcs       |
|  |                                   |  | M0.5 X 6.7 X 14 T10 Spring X 2pcs  |

**BAG MD**



PF1 - 3mm Servo horn  
 PF2 - 2mm Lower servo horn  
 PF3 - Servo Saver for FUTABA  
 PF4 - Servo Saver for KO / SANWA  
 PF5 - Servo Saver cover  
 PF6 - 2mm Lower servo horn

**BAG PF**



Front wing main body



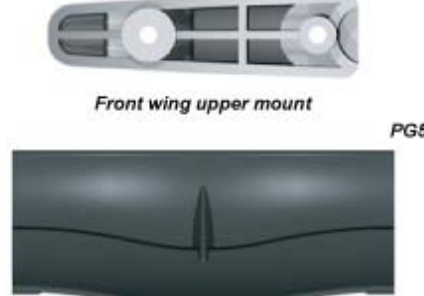
Front wing mount



Front wing upper mount



Rear wing main body



Rear wing part

**BAG PG**

- M2 X 6 Flat head phillips screw - machine X 4pcs
- M2 X 6 Socket head screw - machine X 4pcs
- M3 X 6 Button screw - machine X 12pcs
- M3 X 8 Button screw - machine X 4pcs
- M3 X 10 Button screw - machine X 1pc
- M3 X 16 Button screw - machine X 2pcs
- M3 X 10 Button head phillips screw - self tapping X 1pc
- M3 X 12 Button head phillips screw - self tapping X 2pcs
- M2 X 5 Button head phillips screw - self tapping X 7pcs

- M3 X 8 Flat head screw - machine X 20pcs
- M3 X 12 Flat head screw - machine X 2pcs
- M4 X 30 Flat head screw - machine X 2pcs
- M3 X 3 Set screw X 4pcs
- M3 X 12 Set screw X 2pcs
- M2.6 X 10 Button head phillips screw - machine X 1pc
- M3 X 10 Button head phillips screw - machine X 1pc
- M3 X 20 Button head phillips screw - self tapping X 1pc
- M3 X 6 Button head phillips screw - self tapping X 2pcs

**BAG MA**



WH-29FFO/BL  
Front Foam Tyre And Rim Set



WH-29RFO/BL  
Rear Foam Tyre And Rim Set



F103RM-12/BL  
Front And Rear Wing Set - High Downforce - Black



F103RM-12/WI  
Front And Rear Wing Set - High Downforce - White



F103RM-10  
Front Suspension



F103RM-10RK  
Front Suspension Plastic Part



F103RM-03  
Rear Axle Up & Down Offset Spacer



TT01-22  
4.8mm Ball Cap



3RAC-SHAMU  
Plastic Servo Saver Set



F109-01  
Plastic Parts - Part A



F109-02  
Plastic Parts - Part B



BDY-F109RK  
Plastic Parts - Part C



3RAC-TR345  
64 Titanium 3mm Turnbuckle - 45mm(2 Pcs)



3RAC-TR335  
64 Titanium 3mm Turnbuckle - 35mm(2 Pcs)



F109-03  
Main Chassis And Upper Deck FRP Set



F109-04/LB  
Aluminium Main Damper



F109-04/RK  
Rebuild Kit For F109 Chassis



F109-05  
Aluminium Center Rolling Damper



F109-06  
Aluminium Center Mount Rolling Spring S/M/H



F109-07/WO  
FRP Motor Plate



F109-08  
Aluminium Motor Mount



F109-09  
Main Shaft - FRP



F109-10  
Aluminium Diff. Housing



F109-10/RB  
Rebuild Kit For #F109-11



F109-11  
98T Gear For F109



F109-12  
Rolling Shaft

WEBSITE FOR THE SERIOUS RACER

# F1-09

BRACING 1/10 SCALE FORMULA-1 CHASSIS

## FEATURE:

- Precision cut FRP 2.5mm main chassis and 2.0mm upper desk.
- King pin coil spring independently front suspension.
- Rear suspension uses friction dampers and floating mono shock.
- Aluminum mono shock.
- Aluminum ball differential.
- Full ball bearings.
- Longitudinally placed servo (Isometric steering load applied).
- Lightweight differential joint.
- Height adjustable alloy gear case.
- Rear suspension ball mount.
- Realistic detailed lexan polycarbonate body.
- Front and rear wings.
- Front and rear foam tires and rims
- ESC, 2-channel R/C system, 7.2V battery and charger separately required.

## SPECIFICATION:

Scale	1/10
Steering	Direct steering with servo saver
Suspension	Front king pin coil spring. Central shock
Shocks	Floating mono damper
Transmission	Direct drive 2WD
Gear Ratio	98/23
Length	435mm
Width	200mm
Height	101mm
Wheelbase	275mm
Tread (F)	155mm
Tread (R)	135mm
Tire Width	F 30mm; R 45mm
Tire Size	F 57mm; R 57mm
Overall Weight	610g
Shell Weight	42g
Net Weight	568g

A WEB SITE

FOR THE SERIOUS RACER